

E SERIES BUILT-IN OVENS
INSTALLATION INSTRUCTIONS

INSTRUCCIONES DE INSTALACIÓN

INSTRUCTIONS D'INSTALLATION

ISTRUZIONI PER L'INSTALLAZIONE

INSTALLATIONSANWEISUNGEN

WOLF[®]



WOLF[®]

ENGLISH	4
ESPÁNOL	22
FRANÇAIS	40
ITALIANO	58
DEUTSCH	76



CONTACT INFORMATION

Website:
wolfappliance.com

As you follow these instructions, you will notice **WARNING** and **CAUTION** symbols. This blocked information is important for the safe and efficient installation of Wolf equipment. There are two types of potential hazards that may occur during installation.

⚠ CAUTION

signals a situation where minor injury or product damage may occur if you do not follow instructions.

⚠ WARNING

states a hazard that may cause serious injury or death if precautions are not followed.

Another footnote we would like to identify is **IMPORTANT NOTE**: This highlights information that is especially relevant to a problem-free installation.



INSTALLATION REQUIREMENTS

IMPORTANT NOTE: This installation must be completed by a qualified technician.

IMPORTANT NOTE: Save these Installation Instructions for the local inspector's use.

- Please read the entire Installation Instructions prior to installation.
- **Installer:** please retain these instructions for local inspector's reference, then leave them with the homeowner.
- **Homeowner:** please read and keep these instructions for future reference and be sure to read the entire Use & Care Information prior to use.

IMPORTANT NOTE: This appliance must be installed in accordance with all local codes. The correct voltage, frequency and amperage must be supplied to the appliance from a dedicated, grounded circuit which is protected by a properly sized circuit breaker or time delay fuse. The proper voltage, frequency, and amperage ratings are listed on the product rating plate.

Record the model and serial numbers before installing the built-in oven. Both numbers are listed on the rating plate, located on the right side of the oven trim, directly above the door. Open the oven door to view the rating plate. Refer to the illustration below.

SITE PREPARATION

IMPORTANT NOTE: A minimum 610 mm of usable cabinet depth is required, or the back panel of the cabinet may need to be removed for proper installation. A minimum 635 mm of usable cabinet depth is required for a flush inset installation. The electrical box must be flush with the back panel of the cabinet.

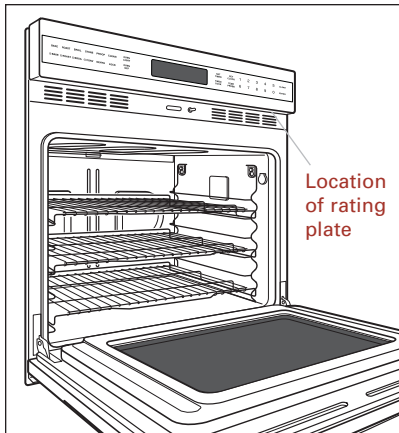
The installation opening must have a flat, level base platform to support the oven. Single ovens require a minimum base support of 113 kg and double ovens require a minimum base support of 181 kg.

IMPORTANT NOTE: Wolf built-in ovens are designed and agency approved for installation with Wolf cooktops, microwaves and warming drawers only. The nominal width of the built-in oven should match the nominal width of the cooktop. A built-in oven cannot be installed below a Wolf rangetop.

RATING PLATE INFORMATION

Model Number

Serial Number



Rating plate location



E SERIES BUILT-IN SINGLE OVENS

MODELS ICBSO30-2F/S AND ICBSO30-2U/S

IMPORTANT NOTE: A minimum 610 mm of usable cabinet depth is required, or the back panel of the cabinet may need to be removed for proper installation. A minimum 635 mm of usable cabinet depth is required for a flush inset installation. The electrical box must be flush with the back panel of the cabinet.

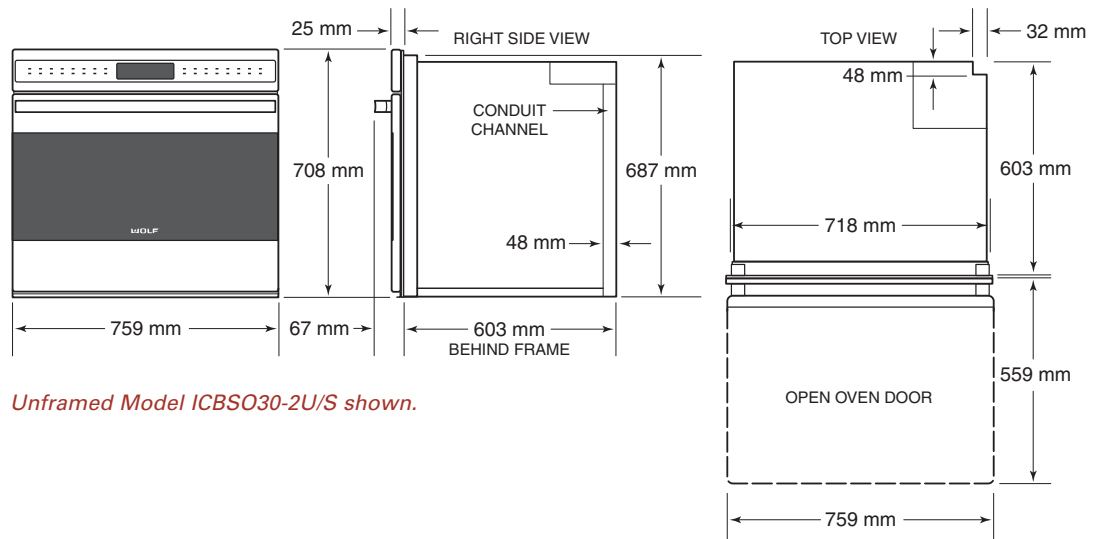
IMPORTANT NOTE: Unless you are using cabinets deeper than 610 mm for a standard installation or 635 mm for a flush inset installation, it is recommended that the electrical supply be placed in an adjacent cabinet. Choose the location shown in the installation illustrations on pages 8–9 that best suits your installation.

For ease of installation, Wolf recommends using 838 mm wide cabinets with the E Series single oven. A minimum 838 mm wide cabinet is required for a flush inset installation. The cabinet base platform must be able to support 113 kg.

Refer to the following illustrations for overall dimensions, installation specifications and electrical location for the E Series single oven.

The E Series single oven requires a separate, grounded 3-wire 220-240 V AC, 50/60 Hz, 30 amp service with its own circuit breaker. Refer to Electrical Requirements on page 16. The oven is not supplied with an electrical plug.

OVERALL DIMENSIONS – MODELS ICBSO30-2F/S AND ICBSO30-2U/S





E SERIES BUILT-IN SINGLE OVENS

STANDARD INSTALLATION

IMPORTANT NOTE: For standard installations, a minimum 610 mm of usable cabinet depth is required, or the back panel of the cabinet may need to be removed for proper installation. The electrical box must be flush with the back panel of the cabinet.

For standard installations, the E Series built-in oven is installed by inserting into cabinetry from the front. The oven has a face trim on all four sides and will overlap stiles and rails. The trim overlaps 3 mm on the bottom, 8 mm on the top and 19 mm on each side.

FLUSH INSET INSTALLATION

IMPORTANT NOTE: For flush inset installations, a minimum 635 mm of usable cabinet depth is required, or the back panel of the cabinet may need to be removed for proper installation. The electrical box must be flush with the back panel of the cabinet.

The flush inset installation requires the built-in oven to be recessed into the cabinet. A minimum 838 mm wide and 635 mm deep cabinet is needed if you want the front of the oven to be flush with surrounding cabinetry.

IMPORTANT NOTE: For flush inset installations, the inside edges of the rough opening must be finished, as they will be exposed when the oven door is open. These edges should be stained instead of having a laminated surface, to avoid damage from high temperatures during self-clean.

COMBINATION INSTALLATIONS

The Wolf E Series single oven may be installed below a Wolf 762 mm induction, electric or gas cooktop. Unless you are using cabinets deeper than 610 mm for a standard installation or 635 mm for a flush inset installation, it is recommended that the electrical supply be placed in the base cabinet to the right of the oven. The E Series single oven may also be installed below a Wolf 914 mm induction, electric or gas cooktop.

A Wolf E Series single oven may be installed next to another E Series single oven. You must allow for a 64 mm space between the oven rough openings. Also, a separate inner wall is required for each oven between openings.

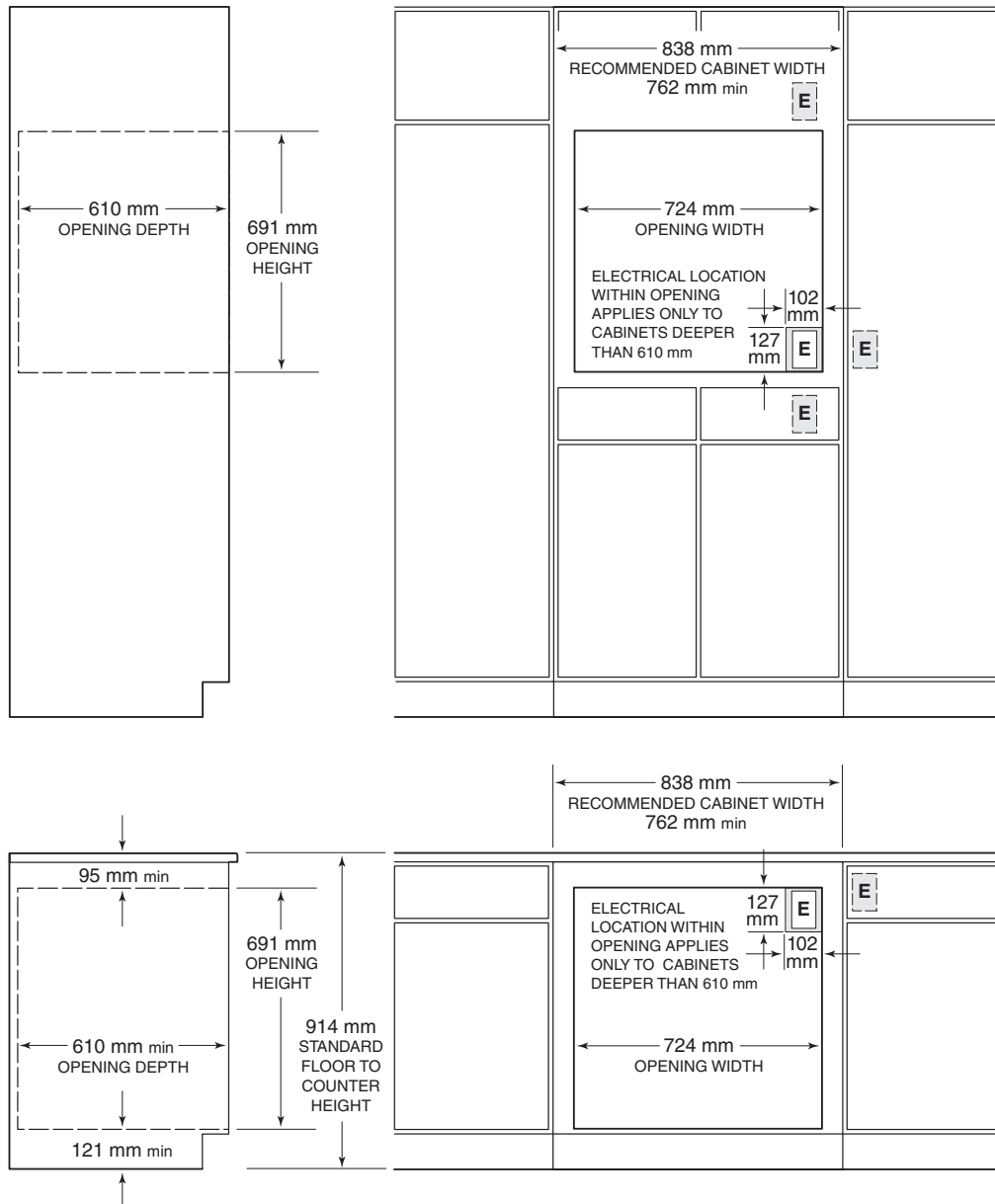


E SERIES BUILT-IN SINGLE OVENS

STANDARD INSTALLATION

Overall Oven Width	759 mm	Minimum Cabinet Width	762 mm
Overall Oven Height	708 mm	Minimum Cabinet (Opening) Depth	610 mm
Overall Oven Depth (behind frame)	603 mm	Opening Width	724 mm
Open Door Clearance	559 mm	Opening Height	691 mm
Recommended Cabinet Width	838 mm	Minimum Base Support	113 kg

STANDARD INSTALLATION – MODELS ICBSO30-2F/S AND ICBSO30-2U/S





E SERIES BUILT-IN SINGLE OVENS

FLUSH INSET INSTALLATION

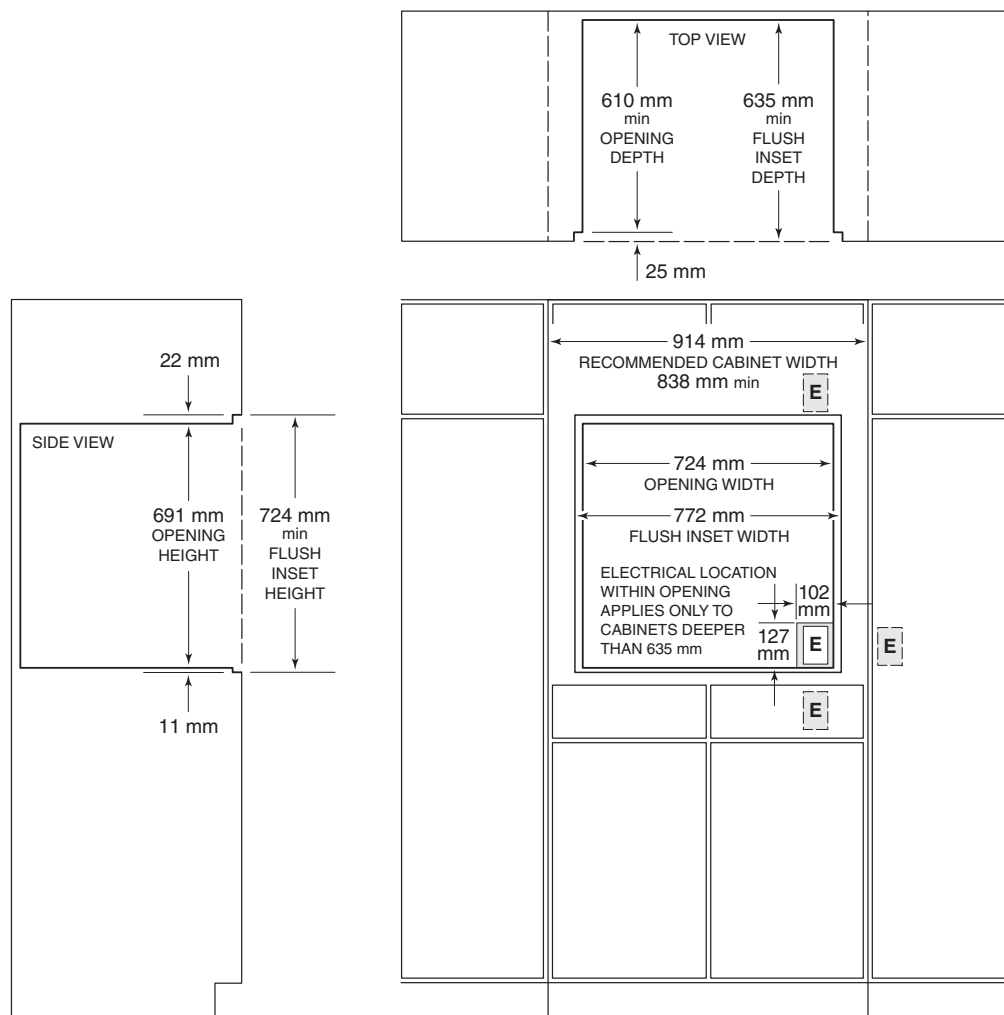
Overall Oven Width	759 mm
Overall Oven Height	708 mm
Overall Oven Depth (behind frame)	603 mm
Open Door Clearance	559 mm
Minimum Base Support	113 kg

Minimum Cabinet Width	838 mm
Minimum Flush Inset Depth	635 mm
Opening Width	724 mm
Minimum Flush Inset Width	772 mm
Opening Height	691 mm
Minimum Flush Inset Height	724 mm

IMPORTANT NOTE

For flush inset installations, the inside edges of the rough opening must be finished, as they will be exposed when the oven door is open.

FLUSH INSET INSTALLATION – MODELS ICBSO30-2F/S AND ICBSO30-2U/S





E SERIES BUILT-IN DOUBLE OVENS

MODELS ICBDO30-2F/S AND ICBDO30-2U/S

IMPORTANT NOTE: A minimum 610 mm of usable cabinet depth is required, or the back panel of the cabinet may need to be removed for proper installation. A minimum 635 mm of usable cabinet depth is required for a flush inset installation. The electrical box must be flush with the back panel of the cabinet.

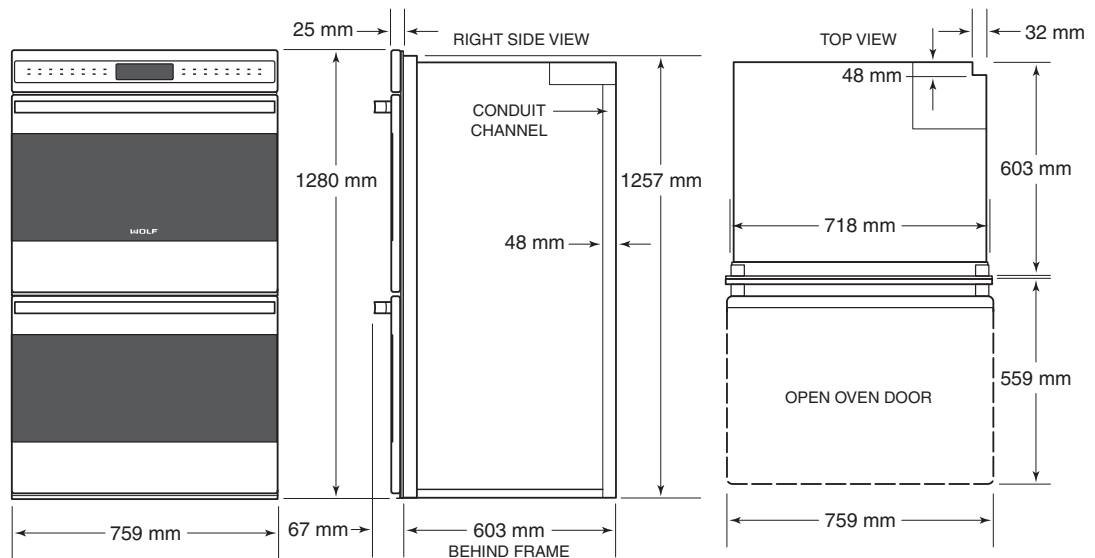
For ease of installation, Wolf recommends using 838 mm wide cabinets with the E Series double oven. A minimum 838 mm wide cabinet is required for a flush inset installation. The cabinet base platform must be able to support 181 kg.

Refer to the following illustrations for overall dimensions, installation specifications and electrical location for the E Series double oven.

The E Series double oven requires a separate, grounded 3-wire 220-240 V AC, 50/60 Hz, 50 amp service with its own circuit breaker. Refer to Electrical Requirements on page 16. The oven is not supplied with an electrical plug.

IMPORTANT NOTE: Unless you are using cabinets deeper than 610 mm for a standard installation or 635 mm for a flush inset installation, it is recommended that the electrical supply be placed in an adjacent cabinet. Choose the location shown in the installation illustrations on pages 12–13 that best suits your installation.

OVERALL DIMENSIONS – MODELS ICBDO30-2F/S AND ICBDO30-2U/S



Unframed Model ICBDO30-2U/S shown.



E SERIES BUILT-IN DOUBLE OVENS

STANDARD INSTALLATION

IMPORTANT NOTE: For standard installations, a minimum 610 mm of usable cabinet depth is required, or the back panel of the cabinet may need to be removed for proper installation. The electrical box must be flush with the back panel of the cabinet.

For standard installations, the E Series built-in oven is installed by inserting into cabinetry from the front. The oven has a face trim on all four sides and will overlap stiles and rails. The trim overlaps 3 mm on the bottom, 8 mm on the top and 19 mm on each side.

FLUSH INSET INSTALLATION

IMPORTANT NOTE: For flush inset installations, a minimum 635 mm of usable cabinet depth is required, or the back panel of the cabinet may need to be removed for proper installation. The electrical box must be flush with the back panel of the cabinet.

The flush inset installation requires the built-in oven to be recessed into the cabinet. A minimum 838 mm wide and 635 mm deep cabinet is needed if you want the front of the oven to be flush with surrounding cabinetry.

IMPORTANT NOTE: For flush inset installations, the inside edges of the rough opening must be finished, as they will be exposed when the oven doors are open. These edges should be stained instead of having a laminated surface, to avoid damage from high temperatures during self-clean.



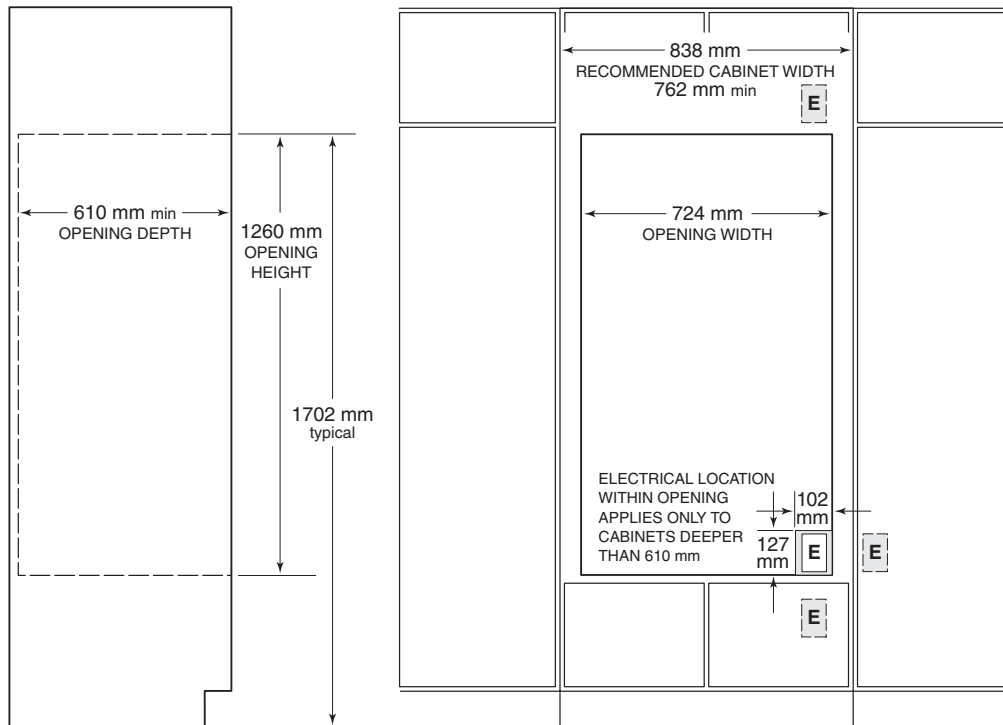
E SERIES BUILT-IN DOUBLE OVENS

STANDARD INSTALLATION

Overall Oven Width	759 mm
Overall Oven Height	1292 mm
Overall Oven Depth (behind frame)	603 mm
Open Door Clearance	559 mm
Recommended Cabinet Width	838 mm

Minimum Cabinet Width	762 mm
Minimum Cabinet (Opening) Depth	610 mm
Opening Width	724 mm
Opening Height	1260 mm
Minimum Base Support	181 kg

STANDARD INSTALLATION – MODELS ICBDO30-2F/S AND ICBDO30-2U/S





E SERIES BUILT-IN DOUBLE OVENS

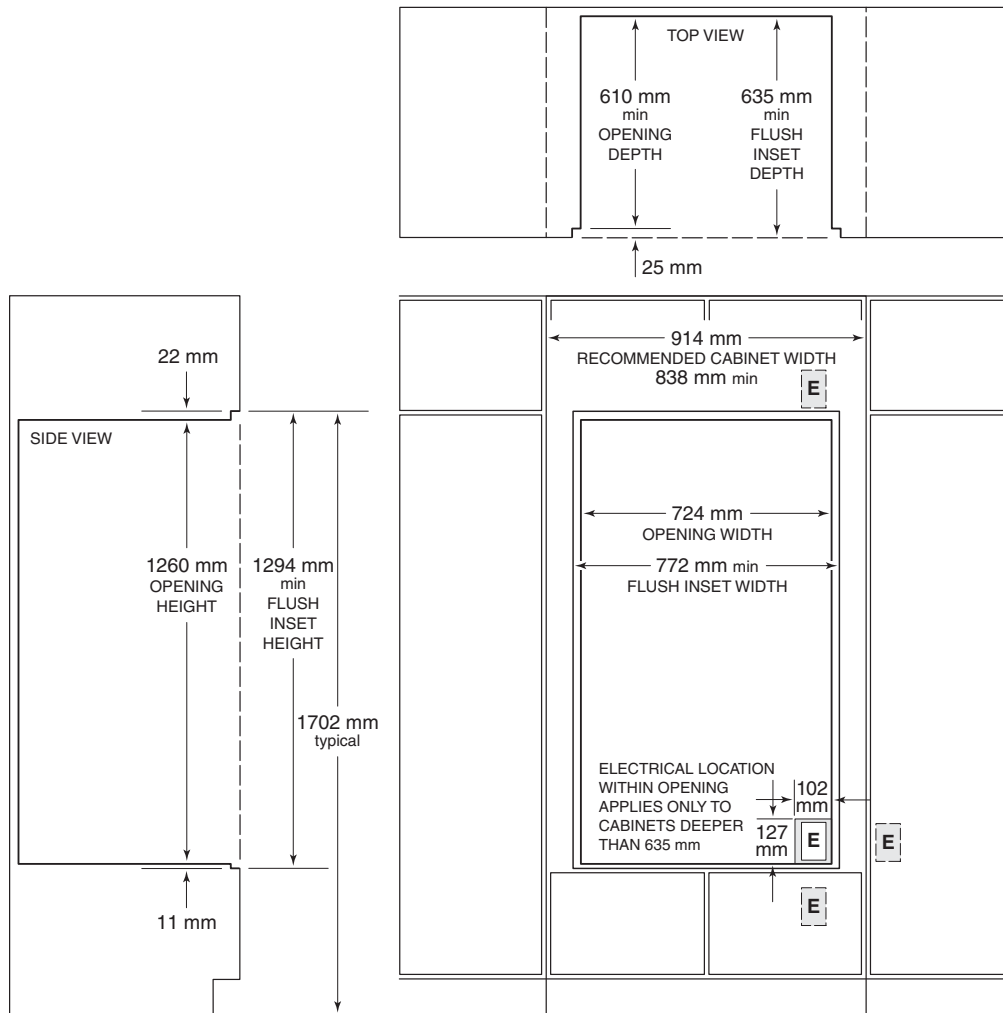
FLUSH INSET INSTALLATION

Overall Oven Width	759 mm	Minimum Cabinet Width	838 mm
Overall Oven Height	1292 mm	Minimum Flush Inset Depth	635 mm
Overall Oven Depth (behind frame)	603 mm	Opening Width	724 mm
Open Door Clearance	559 mm	Minimum Flush Inset Width	772 mm
Minimum Base Support	181 mm	Opening Height	1260 mm
		Minimum Flush Inset Height	1294 mm

IMPORTANT NOTE

For flush inset installations, the inside edges of the rough opening must be finished, as they will be exposed when the oven doors are open.

FLUSH INSET INSTALLATION – MODELS ICBD030-2F/S AND ICBD030-2U/S





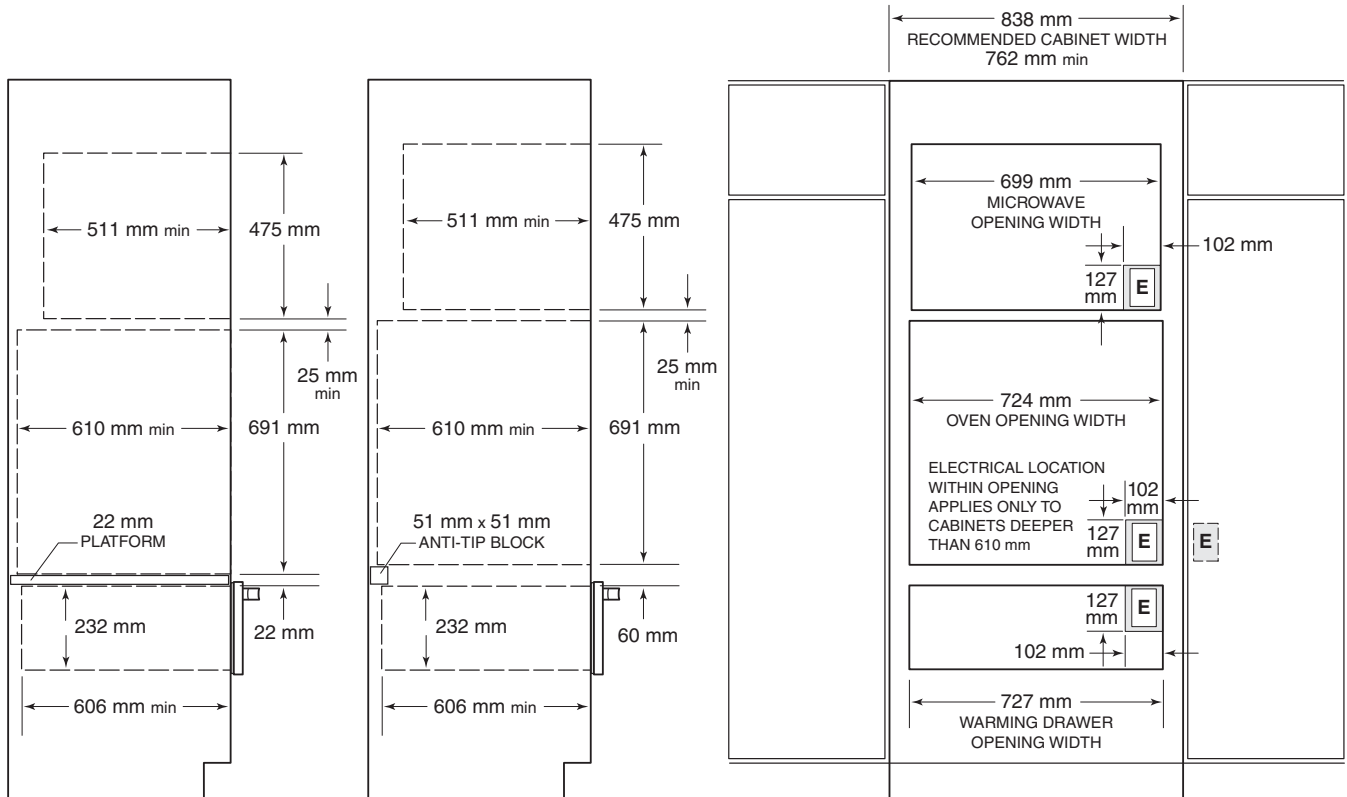
STANDARD INSTALLATION OPTIONS

E SERIES BUILT-IN SINGLE OVEN

The Wolf E Series single oven may be installed in combination with a Wolf convection or non-convection microwave oven with 762 mm E Series trim kit, and a Wolf warming drawer with E Series stainless steel drawer front or integrated drawer front. Refer to the illustration below, and pages 6–9 for installation specifications for E Series single ovens.

Keep in mind that the size of the custom panel for the warming drawer with integrated drawer front will vary according to the specific installation. Refer to the installation instructions provided with the microwave trim kit and warming drawer front for detailed specifications. Dimensions will vary according to the specific installation.

STANDARD INSTALLATION – MODELS ICBSO30-2F/S AND ICBSO30-2U/S



PLATFORM APPLICATION

ANTI-TIP BLOCK APPLICATION

NOTE: Unless you are using cabinets deeper than 610 mm, it is recommended that the electrical supply for the oven be placed in an adjacent cabinet.

Single oven installed with convection microwave with 762 mm E Series trim and warming drawer with E Series stainless steel drawer front.



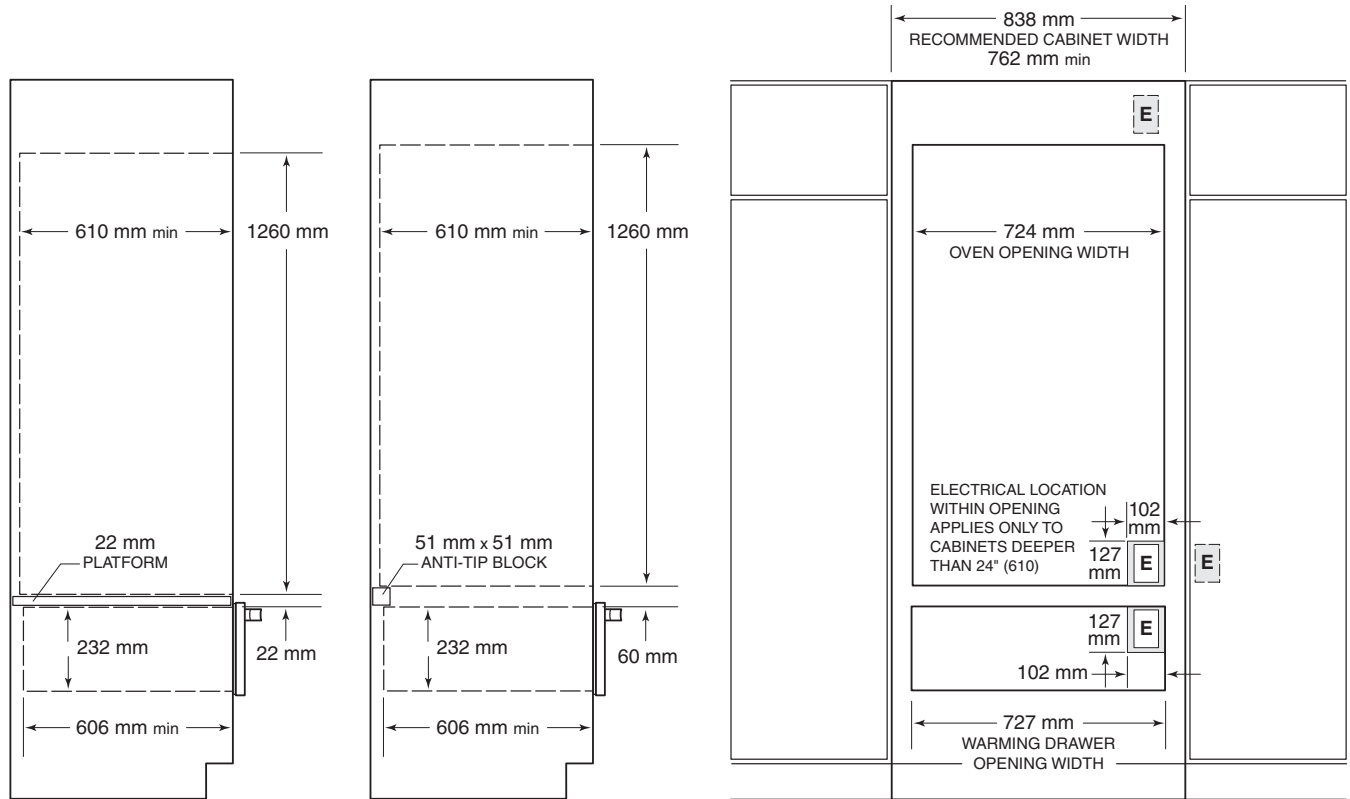
STANDARD INSTALLATION OPTIONS

E SERIES BUILT-IN DOUBLE OVEN

The Wolf E Series double oven may be installed in combination with a Wolf warming drawer with E Series stainless steel drawer front or integrated drawer front. Refer to the illustration below, and pages 10–13 for installation specifications for E Series double ovens.

Keep in mind that the size of the custom panel for the warming drawer with integrated drawer front will vary according to the specific installation. Refer to the installation instructions provided with the warming drawer front for detailed specifications. Dimensions will vary according to the specific installation.

STANDARD INSTALLATION – MODELS ICBDO30-2F/S AND ICBDO30-2U/S



PLATFORM APPLICATION

ANTI-TIP BLOCK APPLICATION

NOTE: Unless you are using cabinets deeper than 610 mm, it is recommended that the electrical supply for the oven be placed in an adjacent cabinet.

Double oven installed above warming drawer with E Series stainless steel drawer front.



ELECTRICAL REQUIREMENTS

⚠ WARNING
 Verify that power is disconnected from the electrical box before proceeding.

⚠ WARNING
 The complete appliance must be properly grounded at all times when electrical power is applied.
NOTE: Improper connection can result in a fire hazard.

IMPORTANT NOTE

Be aware of local codes and ordinances when installing your service.

E SERIES SINGLE OVENS

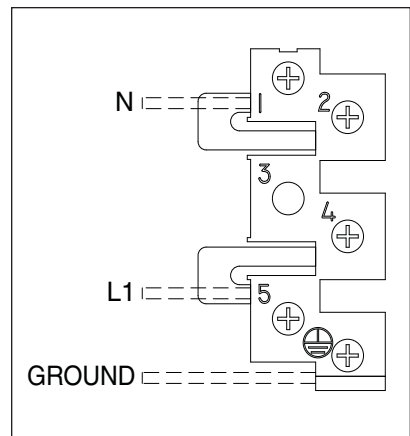
- Required power supply:**
220-240V AC, 50/60 Hz
- Maximum connected load:**
5.1 kW
- Total amps:** 21 amps
- Minimum supply wire size:** L1, N and ground—10 AWG

E SERIES DOUBLE OVENS

- Required power supply:**
220-240V AC, 50/60 Hz
- Maximum connected load:**
8.9 kW

Refer to the wiring diagram showing the connections for each lead to the terminal box on the unit.

Open the terminal box to expose the screws with corresponding numbers. Loosen the 1, 5, and ground screws. Run the cord through the strain relief hole and into the terminal box. Attach the Neutral wire to the number 1 position. Line should be attached to the 5 position and attach the ground to the corresponding ground screw. After tightening the screws, tighten down the cord strain relief and close the cover to the terminal box without pinching any of the wires.



Wiring diagram



ELECTRICAL REQUIREMENTS

With the oven positioned directly in front of the cabinet opening, feed the properly rated cord attached to the oven terminal box through the opening in the cabinet platform (where applicable). Then, depending upon local codes, utilize one of the following techniques to connect the appliance to the electrical power supply.

INSTALLING THE OVEN

UNPACK THE OVEN

⚠ CAUTION

Oven is not mounted to the shipping base. Do not remove banding until the oven is at the point of installation.

Cut the plastic straps and remove the two V-boards. Remove the four top foam corners and the corner posts. Remove the carton sleeve by lifting the sleeve up and over the appliance.

Remove all oven racks, oven rack guides and broiler pan from inside the oven cavity. For the double oven, be sure to do this for both the upper and lower ovens.

Remove the four bottom corners. Use caution as the oven is not mounted to the shipping base. Keep the bottom foam in place when moving or carting the oven. The bottom foam also protects the factory-installed trim.

⚠ CAUTION

Do not remove the bottom foam until oven has been positioned next to the installation opening.

IMPORTANT NOTE: Before moving the oven, protect any finished flooring with appropriate materials to avoid damage to the floor.

Remove and discard all packing materials, including cardboard and tape on the outside of the oven and inside the oven cavity.

⚠ CAUTION

Do not lift the unit by the oven door handle(s). This will damage the oven door and hinges.



INSTALLING THE OVEN

OVEN DOOR REMOVAL

To reduce the weight of the oven and ease installation, removal of the oven door(s) is an option.

To Remove Oven Door:

- Open oven door all the way.
- Flip down the hinge latch on each side.
- Close the oven door as far as it will shut.
- While holding the oven door on each side with both hands, lift the oven door up. Continue to push the oven door closed and pull it away from the oven frame.

To Reinstall Oven Door:

- Insert both hanger arms into the oven frame openings.
- Open the oven door. You should hear a "click" as the door is set into place.
- Move the hinge levers back to the locked position. Ensure that the door is free to open and close. If not, repeat the removal and reinstallation procedures.

POSITION THE OVEN

⚠ CAUTION

The oven is very heavy – use caution when lifting. It is recommended that two people lift and position the oven into the opening. Wear gloves to protect hands from any sharp edges.

Holding the oven by the upper edge and bottom side of the oven chassis, carefully lift the oven up to the cabinet opening.

Resting the oven on the cabinet base platform, slide the oven into the opening until it is approximately 152 mm from full insertion. If applicable, ensure that the installer supplied cable slides through the opening in the cabinet platform as the oven is slid into place.

IMPORTANT NOTE: The installer supplied cable must be placed in the recessed area located along the right rear vertical edge of the oven. Make sure that the cable is not trapped between the oven and the inner cabinet wall.

⚠ CAUTION

Do not block the oven air exhaust located at the bottom of the oven. Blocking the exhaust may cause cabinet damage and poor baking performance.



INSTALLING THE OVEN

MOUNT OVEN TO CABINETRY

Once the oven is fully inserted into the cabinet opening, locate the mounting holes on the oven side trim. There will be four mounting holes for a single oven and six for a double oven. Refer to the illustration below. Use a 2 mm drill bit to drill pilot holes into the cabinet. Use the provided wood screws to secure the oven to the cabinet through the oven mounting holes.

⚠ WARNING

Failure to install the mounting screws may cause the oven to move or tip forward during use. This may result in damage to the oven or personal injury.

OVEN OPERATION

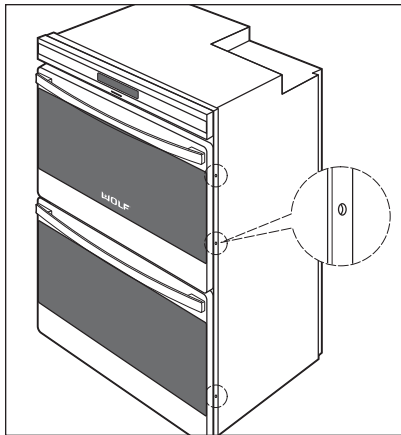
IMPORTANT NOTE: Prior to operating the oven, be sure to read the entire Wolf E Series Built-In Ovens Use & Care Information included with the oven for important safety information.

Unpack the box containing the oven components found in each oven cavity. Install the oven rack guides onto the shoulder screws located on the interior side walls of the oven. Slide the oven racks onto the support racks within the oven. There are three racks per oven. Place the broiler pan and grid on a rack within the oven, if desired.

Turn on the power supply to the oven. Set the time of day by pressing the **⌚ SET CLOCK** touch pad, input the desired time by using the number pads, then touch **⏏ ENTER**.

Select any of the ten cooking modes on the control panel. Verify that the oven is coming up to temperature. For the double oven, be sure to verify operation of both ovens.

IMPORTANT NOTE: A small amount of smoke and odor may be noticed during the initial break-in period. Refer to the Use & Care Information for additional information.



Location of mounting holes



CONTACT
INFORMATION

Website:
wolfappliance.com

TROUBLESHOOTING

IMPORTANT NOTE: If the built-in oven does not operate properly, follow these troubleshooting steps:

- Verify that power is being supplied to the oven.
- Check the electrical connections to ensure that the installation has been completed correctly.
- Follow troubleshooting procedures as described in the Wolf E Series Built-In Ovens Use & Care Information.
- If the oven still does not work, contact a Wolf authorized service center. Do not attempt to repair the oven yourself. Wolf is not responsible for service required to correct a faulty installation.

WIRING DIAGRAM

The wiring diagram covering the control circuit is located on the top of the oven in a sealed plastic bag.

IF YOU NEED SERVICE

- For service in your area, contact either your Wolf dealer or visit the Showroom Locator section of our website, wolfappliance.com to find the regional distributor by country.
- When calling for service, you will need the built-in oven model and serial numbers. Both numbers are listed on the product rating plate, located on the right side of the oven trim, directly above the door. Open the oven door to view the rating plate. Refer to the illustration on page 5 for location of the rating plate.



The information and images in this book are the copyright property of Wolf Appliance, Inc., an affiliate of Sub-Zero, Inc. Neither this book nor any information or images contained herein may be copied or used in whole or in part without the express written permission of Wolf Appliance, Inc., an affiliate of Sub-Zero, Inc.

©Wolf Appliance, Inc. all rights reserved.



WOLF[®]

INFORMACIÓN
DE CONTACTO

Página Web:
www.sub-zero.eu.com

Cuando consulte las instrucciones que aparecen en esta guía, encontrará símbolos de **AVISO** y **PRECAUCIÓN**. Esta información en recuadros es importante para instalar el equipo de Wolf de forma segura y eficaz. Existen dos tipos de posibles riesgos que pueden producirse durante una instalación.

⚠ PRECAUCIÓN

indica una situación en la que se pueden sufrir heridas leves o provocar daños secundarios al producto si no se siguen las instrucciones.

⚠ AVISO

indica peligro de que se produzcan heridas personales graves o incluso puede provocar la muerte si no se siguen las precauciones especificadas.

Otro tipo de anotación que es importante resaltar es la que se incluye en **NOTA IMPORTANTE**: En esta nota se resalta la información que resulta especialmente importante para que la instalación se realice sin problemas.



REQUISITOS DE **INSTALACIÓN**

NOTA IMPORTANTE: Esta instalación debe ser realizada por un técnico cualificado.

NOTA IMPORTANTE: Guarde estas instrucciones de instalación para que el inspector local pueda utilizarlas.

- Lea las instrucciones de instalación antes de llevar a cabo la instalación.
- **Instalador:** guarde estas instrucciones para que el inspector local pueda utilizarlas como referencia y, a continuación, entréguelas al propietario del aparato.
- **Propietario:** lea y guarde estas instrucciones para que pueda utilizarlas como referencia en el futuro y asegúrese de leer la guía de uso y mantenimiento antes de utilizar el aparato.

NOTA IMPORTANTE: Este aparato debe instalarse siguiendo todas las normativas nacionales correspondientes. Se debe aplicar al aparato el voltaje, la frecuencia y el amperaje adecuados desde una instalación eléctrica resistente con toma de tierra protegida por un fusible de retardo. El voltaje, la frecuencia y el amperaje se muestran en la placa de datos del producto.

Apunte la referencia del modelo y los números de serie antes de instalar el horno integrable. Encontrará estos números en la placa de datos, situada en el lado derecho del borde del horno, justo encima de la puerta. Abra la puerta del horno para verla. Observe la siguiente ilustración.

PREPARACIÓN DEL **SITIO**

NOTA IMPORTANTE: Es necesario dejar un fondo mínimo de 610 mm utilizables, si no, podría ser necesario quitar el panel trasero del armario para que el horno quede bien instalado. En el caso de una instalación empotrable, es necesario dejar un fondo mínimo de 635 mm utilizables. La caja de conexiones debe empotrarse con el panel trasero del armario.

La apertura de la instalación debe tener una plataforma con una superficie nivelada y plana para aguantar el horno. Los hornos sencillos necesitan un apoyo de superficie mínimo de 113 kg mientras que los hornos dobles necesitan que este apoyo sea de 181 kg.

NOTA IMPORTANTE: Los hornos integrables Wolf están diseñados y aprobados por el organismo regulador correspondiente para que se puedan instalar solamente con placas, microondas y cajones calentadores de Wolf. El ancho nominal del horno integrable debe coincidir con el ancho nominal de la placa. No se puede instalar un horno integrable debajo de una cocina de gas de Wolf.

INFORMACIÓN DE LA PLACA DE DATOS

Referencia del modelo

Número de serie



Ubicación de la placa de datos



HORNOS SENCILLOS INTEGRABLES
SERIE E

MODELOS ICBSO30-2F/S Y
ICBSO30-2U/S

NOTA IMPORTANTE: Es necesario dejar un fondo mínimo de 610 mm utilizables, si no, podría ser necesario quitar el panel trasero del armario para que el horno quede bien instalado. En el caso de una instalación empotrable, es necesario dejar un fondo mínimo de 635 mm utilizables. La caja de conexiones debe empotrarse con el panel trasero del armario.

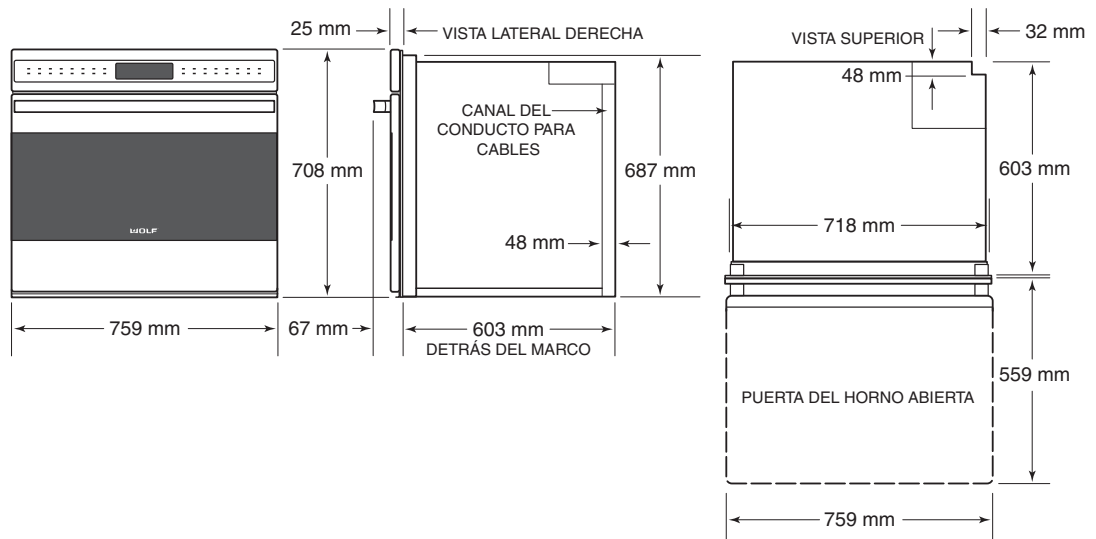
Para facilitar la instalación, Wolf recomienda utilizar un armario con un ancho de 838 mm para el horno sencillo Serie E. En el caso de una instalación empotrable, es necesario que el armario tenga 838 mm de ancho como mínimo. La plataforma base del armario debe aguantar un peso de 113 kg.

Vea las siguientes ilustraciones para conocer las medidas totales, las especificaciones de instalación y la ubicación de los componentes eléctricos del horno sencillo de la Serie E.

El horno sencillo de la Serie E requiere una red eléctrica individual de 220-240 V CA, 50/60 Hz y 30 amperios, con toma a tierra, cable de tres clavijas y con su propio cortacircuitos. Consulte la sección Requisitos eléctricos en la página 34. El horno no se entrega con un enchufe eléctrico.

NOTA IMPORTANTE: A menos que utilice armarios con un fondo superior a 610 mm para una instalación estándar o con un fondo superior a 635 mm para una instalación empotrable, se recomienda que la toma eléctrica se coloque en un armario contiguo. Elija la ubicación entre las que se muestran en las ilustraciones de instalación en las páginas 26-27 que mejor se adapte a su instalación.

MEDIDAS TOTALES - MODELOS ICBSO30-2F/S E ICBSO30-2U/S



**HORNOS SENCILLOS INTEGRABLES**

SERIE E

INSTALACIÓN ESTÁNDAR

NOTA IMPORTANTE: Para las instalaciones estándar, es necesario dejar un fondo mínimo de 610 mm utilizables, si no, podría ser necesario quitar el panel trasero del armario para que el aparato quede bien instalado. La caja de conexiones debe empotrarse con el panel trasero del armario.

Para las instalaciones estándar, el horno integrable Serie E queda instalado al insertarlo en el armario desde la parte delantera. El horno tiene un contramarco frontal en cada uno de los cuatro lados que va superpuesto sobre los raíles y montantes. El contramarco sobresale 3 mm en la parte inferior, 8 mm en la parte superior y 19 mm a cada uno de los lados.

INSTALACIÓN EMPOTRABLE

NOTA IMPORTANTE: Para las instalaciones empotrables, es necesario dejar un fondo mínimo de 635 mm utilizables, si no, podría ser necesario quitar el panel trasero del armario para que el aparato quede bien instalado. La caja de conexiones debe empotrarse con el panel trasero del armario.

La instalación empotrable exige que el horno integrable quede bien acoplado dentro del armario. Si desea que el frente del horno quede empotrado respecto al mobiliario circundante, necesitará un mueble con un ancho mínimo de 838 mm y un fondo mínimo de 635 mm.

NOTA IMPORTANTE: En las instalaciones empotrables, los bordes internos de la cavidad deben estar acabados, ya que quedarán expuestos cuando la puerta del horno esté abierta. Estos bordes deberían estar teñidos en vez de tener una superficie laminada con el fin de evitar que las altas temperaturas de la limpieza automática los dañen.

INSTALACIONES COMBINADAS

Los hornos sencillos Serie E de Wolf se pueden instalar debajo de una vitrocerámica, una placa de gas o de inducción de 762 mm de Wolf. A menos que utilice armarios con un fondo superior a 610 mm para una instalación estándar o con un fondo superior a 635 mm para una instalación empotrable, se recomienda que la toma eléctrica se coloque en el armario base situado a la derecha del horno. Los hornos sencillos Serie E también se pueden instalar debajo de una vitrocerámica, una placa de gas o de inducción de 914 mm de Wolf.

Además, existe la posibilidad de instalar un horno sencillo Serie E de Wolf al lado de otro horno sencillo Serie E. Debe dejar un espacio de 64 mm entre las cavidades del horno. También es necesario dejar una pared interior separada entre las cavidades de cada uno de los hornos.



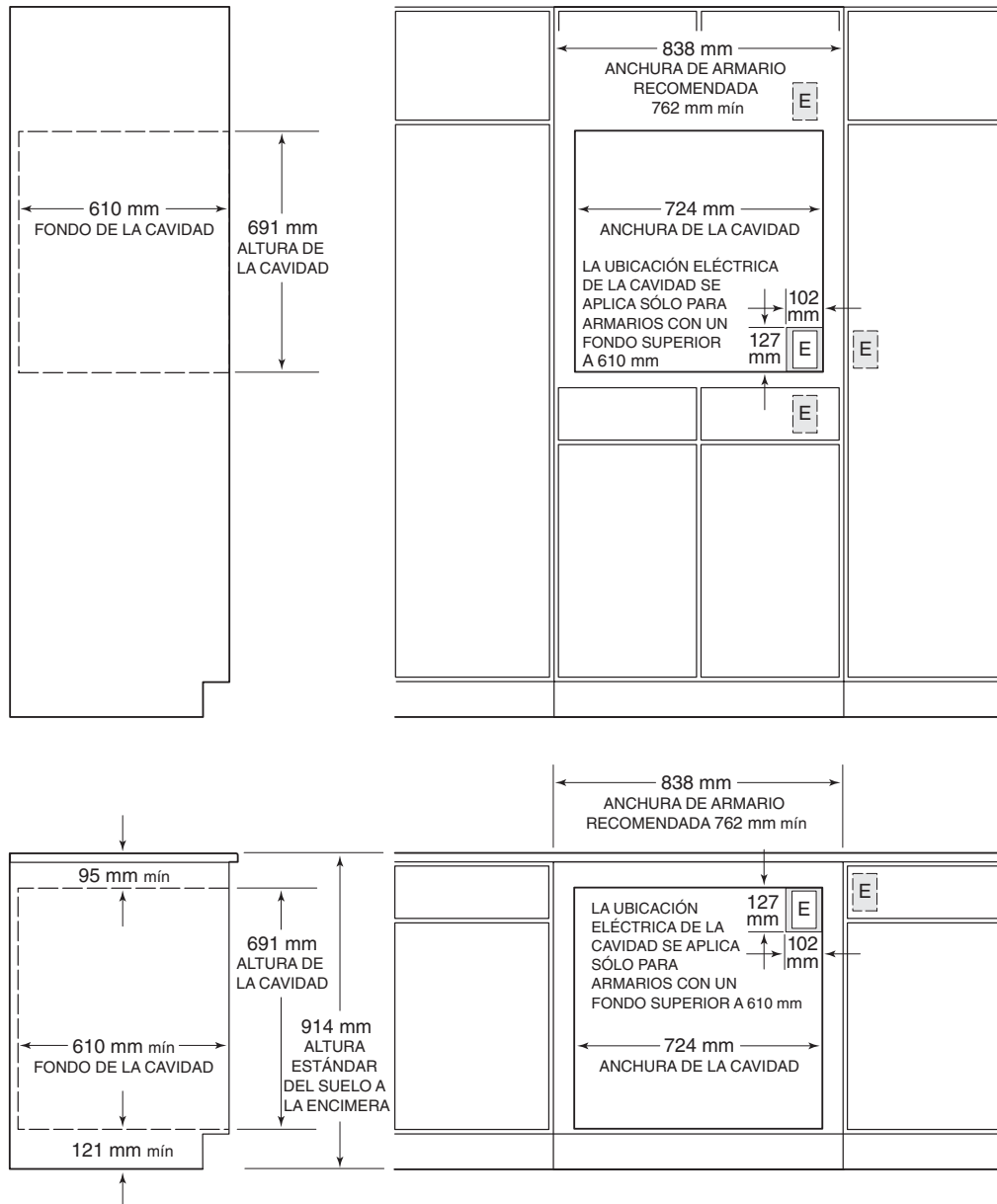
HORNOS SENCILLOS INTEGRABLES
SERIE E

INSTALACIÓN ESTÁNDAR

Anchura total del horno	759 mm
Altura total del horno	708 mm
Fondo total del horno (marco posterior)	603 mm
Margen de apertura de la puerta	559 mm
Anchura del armario recomendada	838 mm

Anchura mínima del mueble	762 mm
Fondo mínimo del armario (apertura)	610 mm
Anchura de la cavidad	724 mm
Altura de la cavidad	691 mm
Soporte mínimo de la base	113 kg

INSTALACIÓN ESTÁNDAR - MODELOS ICBSO30-2F/S E ICBSO30-2U/S





HORNOS SENCILLOS INTEGRABLES
SERIE E

INSTALACIÓN EMPOTRABLE

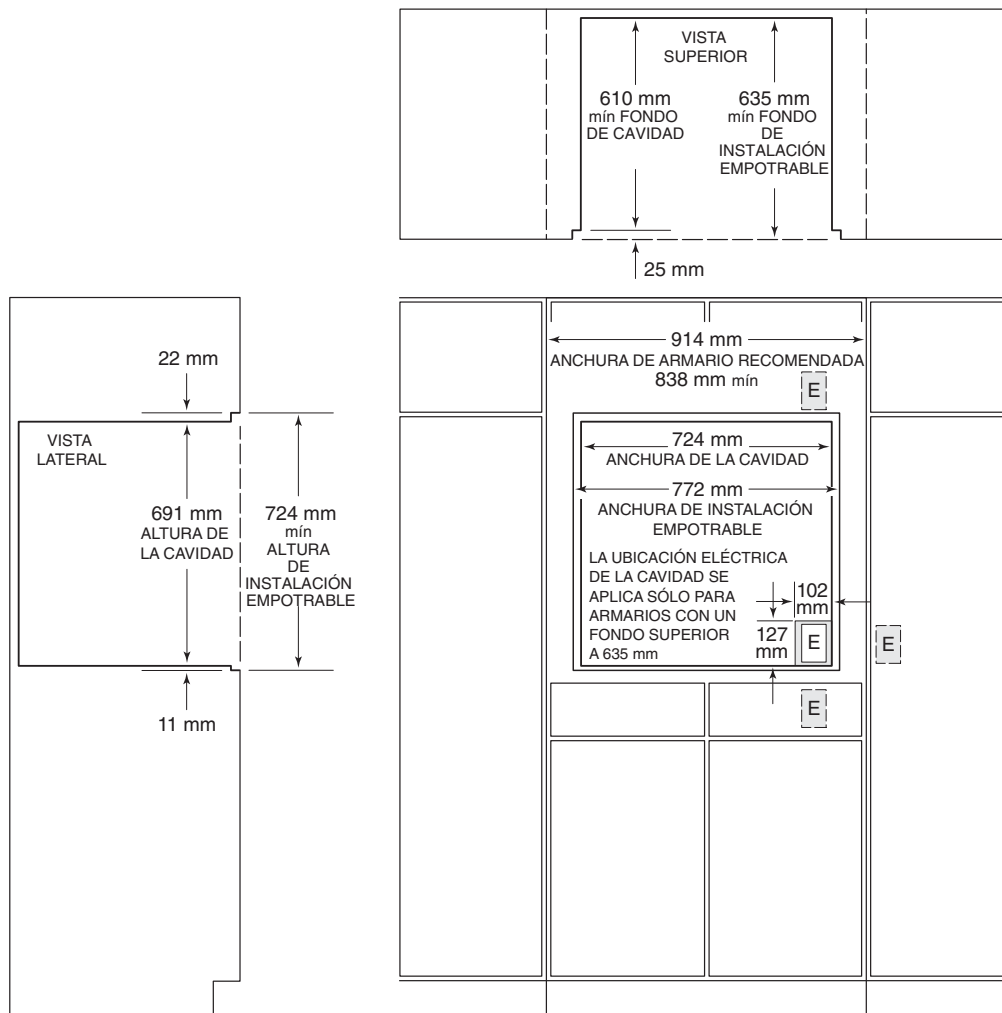
Anchura total del horno	759 mm
Altura total del horno	708 mm
Fondo total del horno (marco posterior)	603 mm
Margen de apertura de la puerta	559 mm
Soporte mínimo de la base	113 kg

Anchura mínima del mueble	838 mm
Fondo mínimo de instalación empotrable	635 mm
Anchura de la cavidad	724 mm
Anchura mínima de instalación empotrable	772 mm
Altura de la cavidad	691 mm
Altura mínima de instalación empotrable	724 mm

NOTA IMPORTANTE

En las instalaciones empotrables, los bordes internos de la cavidad deben estar acabados, ya que quedarán expuestos cuando la puerta del horno esté abierta.

INSTALACIÓN EMPOTRABLE - MODELOS ICBSO30-2F/S E ICBSO30-2U/S





**HORNOS DOBLES INTEGRABLES
SERIE E**

**MODELOS ICBDO30-2F/S E
ICBDO30-2U/S**

NOTA IMPORTANTE: Es necesario dejar un fondo mínimo de 610 mm utilizables, si no, podría ser necesario quitar el panel trasero del armario para que el horno quede bien instalado. En el caso de una instalación empotrable, es necesario dejar un fondo mínimo de 635 mm utilizables. La caja de conexiones debe empotrarse con el panel trasero del armario.

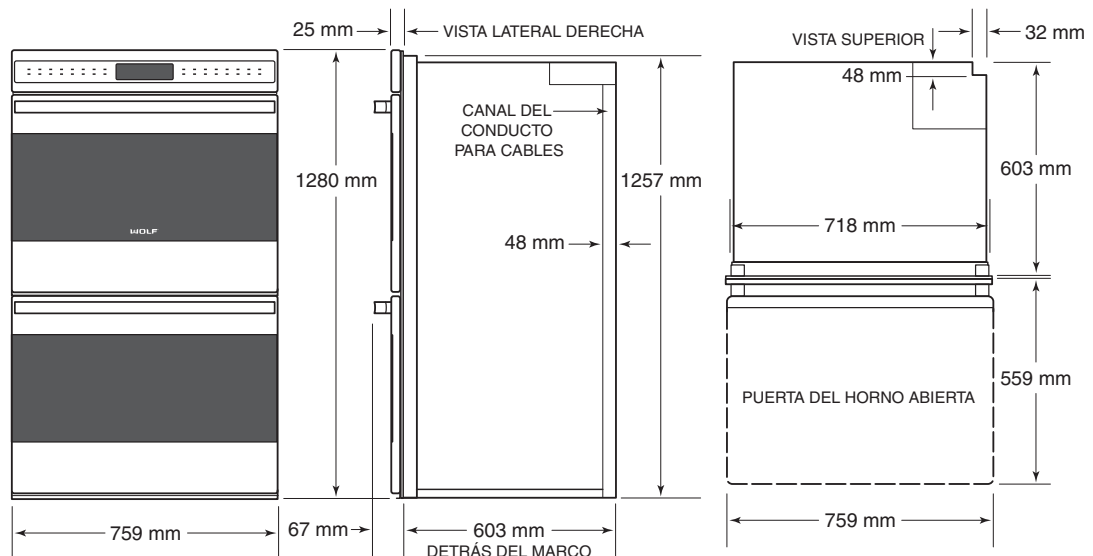
Para facilitar la instalación, Wolf recomienda utilizar un armario con un ancho de 838 mm para el horno doble Serie E. En el caso de una instalación empotrable, es necesario que el armario tenga 838 mm de ancho como mínimo. La plataforma base del armario debe aguantar un peso de 181 kg.

Vea las siguientes ilustraciones para conocer las medidas totales, las especificaciones de instalación y la ubicación de los componentes eléctricos del horno doble de la Serie E.

El horno doble Serie E requiere una red eléctrica individual de 220-240 V CA, 50/60 Hz y 50 amperios, con toma a tierra, cable de tres clavijas y con su propio cortacircuitos. Consulte la sección Requisitos eléctricos en la página 34. El horno no se entrega con un enchufe eléctrico.

NOTA IMPORTANTE: A menos que utilice armarios con un fondo superior a 610 mm para una instalación estándar o con un fondo superior a 635 mm para una instalación empotrable, se recomienda que la toma eléctrica se coloque en un armario contiguo. Elija la ubicación entre las que se muestran en las ilustraciones de instalación en las páginas 30-31 que mejor se adapte a su instalación.

MEDIDAS TOTALES - MODELOS ICBDO30-2F/S E ICBDO30-2U/S



Se muestra el modelo ICBDO30-2U/S sin marco



HORNOS DOBLES INTEGRABLES SERIE E

INSTALACIÓN ESTÁNDAR

NOTA IMPORTANTE: Para las instalaciones estándar, es necesario dejar un fondo mínimo de 610 mm utilizables, si no, podría ser necesario quitar el panel trasero del armario para que el aparato quede bien instalado. La caja de conexiones debe empotrarse con el panel trasero del armario.

Para las instalaciones estándar, el horno integrable Serie E queda instalado al insertarlo en el armario desde la parte delantera. El horno tiene un contramarco frontal en cada uno de los cuatro lados que va superpuesto sobre los raíles y montantes. El contramarco sobresale 3 mm en la parte inferior, 8 mm en la parte superior y 19 mm a cada uno de los lados.

INSTALACIÓN EMPOTRABLE

NOTA IMPORTANTE: Para las instalaciones empotrables, es necesario dejar un fondo mínimo de 635 mm utilizables, si no, podría ser necesario quitar el panel trasero del armario para que el aparato quede bien instalado. La caja de conexiones debe empotrarse con el panel trasero del armario.

La instalación empotrable exige que el horno integrable quede bien acoplado dentro del armario. Si desea que el frente del horno quede empotrado respecto al mobiliario circundante, necesitará un mueble con un ancho mínimo de 838 mm y un fondo mínimo de 635 mm.

NOTA IMPORTANTE: En las instalaciones empotrables, los bordes internos de la cavidad deben estar acabados, ya que quedarán expuestos cuando las puertas del horno estén abiertas. Estos bordes deberían estar teñidos en vez de tener una superficie laminada con el fin de evitar que las altas temperaturas de la limpieza automática los dañen.



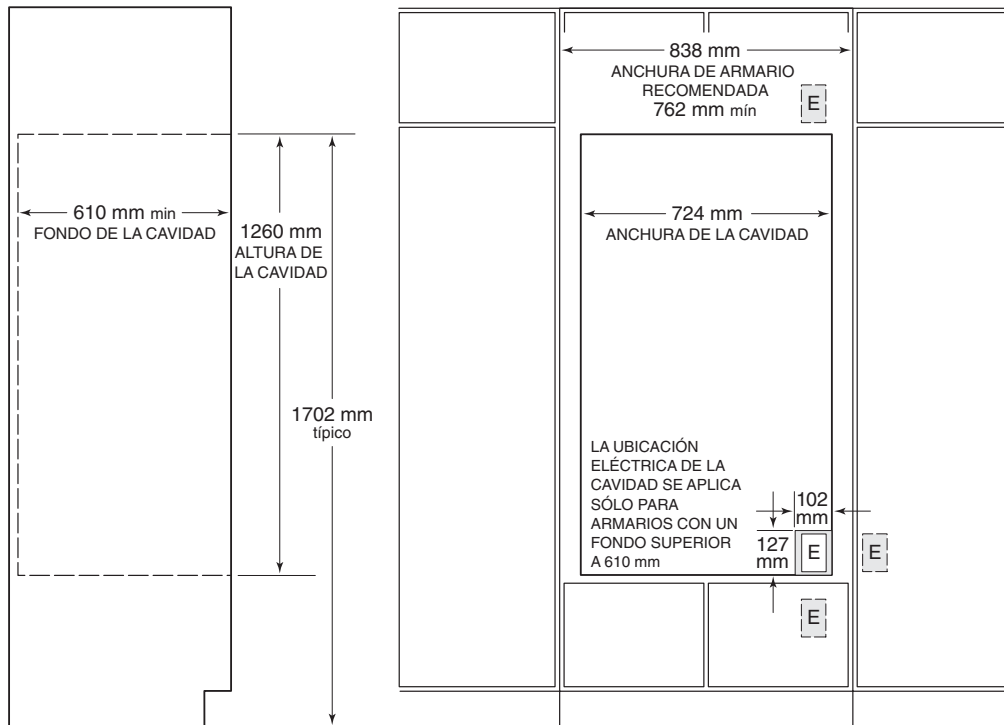
HORNOS DOBLES INTEGRABLES
SERIE E

INSTALACIÓN ESTÁNDAR

Anchura total del horno	759 mm
Altura total del horno	1.292 mm
Fondo total del horno (marco posterior)	603 mm
Margen de apertura de la puerta	559 mm
Anchura del armario recomendada	838 mm

Anchura mínima del mueble	762 mm
Fondo mínimo del armario (apertura)	610 mm
Anchura de la cavidad	724 mm
Altura de la cavidad	1.260 mm
Soporte mínimo de la base	181 kg

INSTALACIÓN ESTÁNDAR - MODELOS ICBDO30-2F/S E ICBDO30-2U/S





HORNOS DOBLES INTEGRABLES
SERIE E

INSTALACIÓN EMPOTRABLE

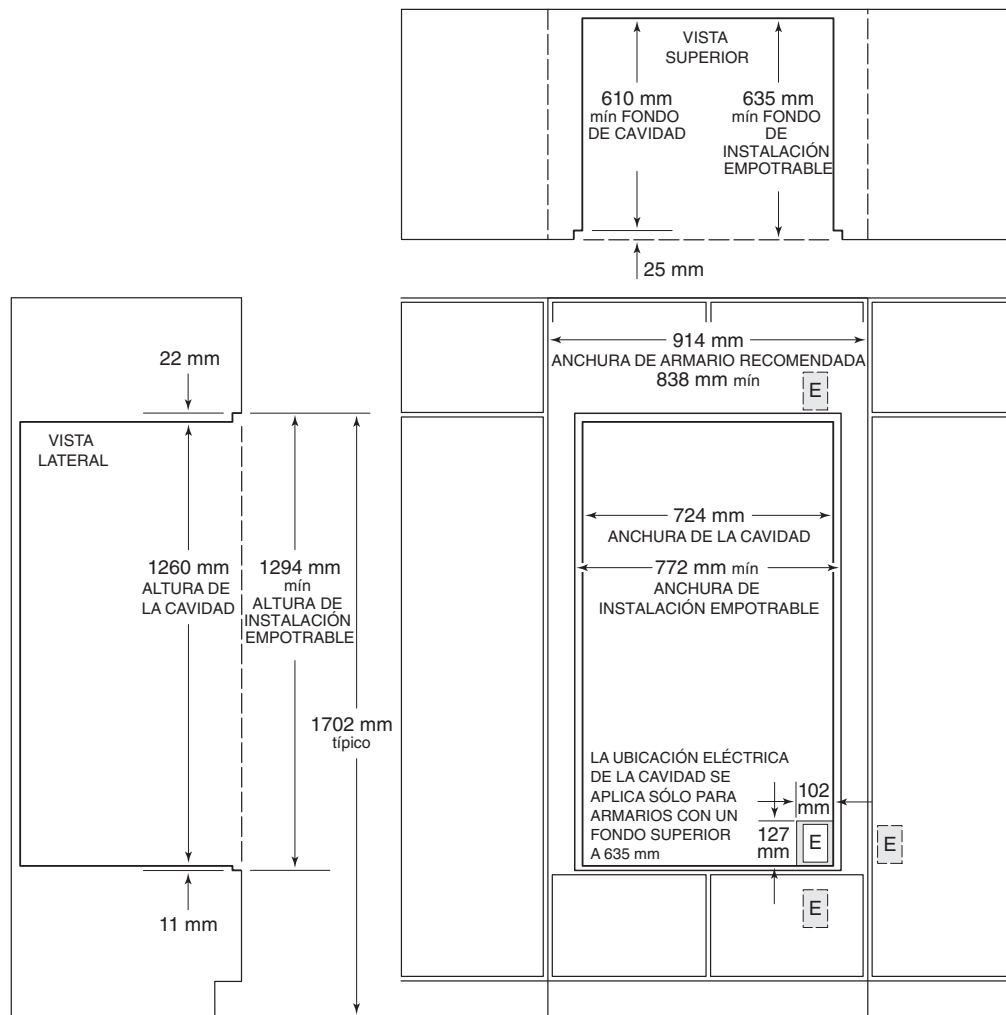
Anchura total del horno	759 mm
Altura total del horno	1.292 mm
Fondo total del horno (marco posterior)	603 mm
Margen de apertura de la puerta	559 mm
Soporte mínimo de la base	181 kg

Anchura mínima del mueble	838 mm
Fondo mínimo de instalación empotrable	635 mm
Anchura de la cavidad	724 mm
Anchura mínima de instalación empotrable	772 mm
Altura de la cavidad	1.260 mm
Altura mínima de instalación empotrable	1.294 mm

NOTA IMPORTANTE

En las instalaciones empotrables, los bordes internos de la cavidad deben estar acabados, ya que quedarán expuestos cuando las puertas del horno estén abiertas.

INSTALACIÓN EMPOTRABLE - MODELOS ICBD030-2F/S E ICBD030-2U/S





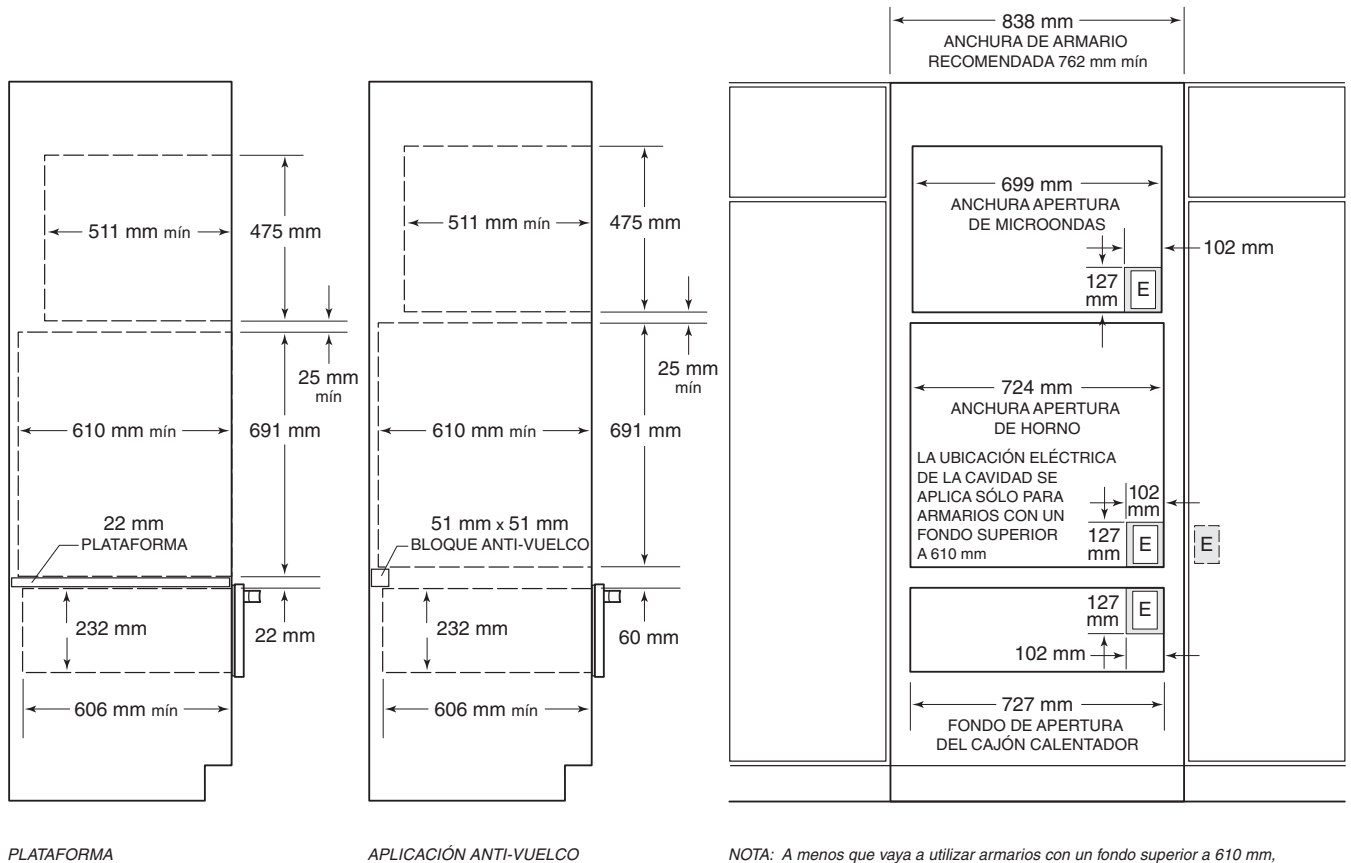
OPCIONES DE **INSTALACIÓN ESTÁNDAR**

HORNO SENCILLO INTEGRABLE SERIE E

El horno sencillo Serie E de Wolf se puede instalar en combinación con un horno microondas de ventilación o sin ventilación de Wolf con el kit de marco de 762 mm de la Serie E, así como con un cajón calentador de Wolf con el frente de cajón de acero inoxidable o integrado de la Serie E. Vea la siguiente ilustración y las páginas 24–27 para conocer las especificaciones de instalación de los hornos sencillos de la Serie E.

Recuerde que el tamaño del panel fabricado a medida para el cajón calentador con frente integrado puede variar según cada instalación. Consulte las instrucciones de instalación que se proporcionan con el kit de marco de horno microondas o el frente del cajón calentador si desea obtener información más detallada. Las medidas pueden variar dependiendo de cada instalación.

INSTALACIÓN ESTÁNDAR - MODELOS ICBSO30-2F/S E ICBSO30-2U/S



NOTA: A menos que vaya a utilizar armarios con un fondo superior a 610 mm, se recomienda que la toma eléctrica del horno se coloque en un armario contiguo.

Horno sencillo instalado con horno microondas de ventilación con el marco de la Serie E de 762 mm y el cajón calentador con el frente de acero inoxidable de la Serie E.



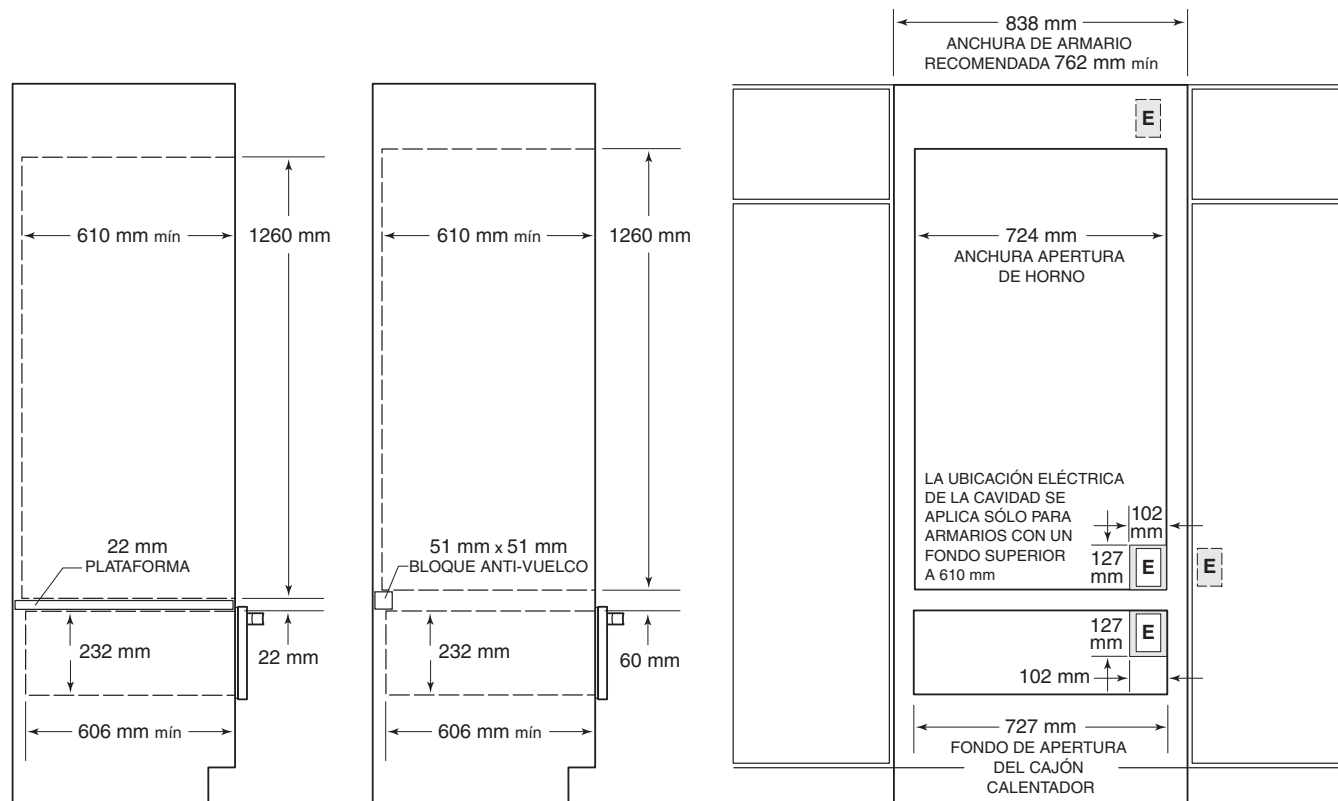
OPCIONES DE **INSTALACIÓN ESTÁNDAR**

HORNO DOBLE INTEGRABLE SERIE E

El horno doble de la Serie E de Wolf se puede instalar en combinación con un cajón calentador de acero inoxidable de Wolf mediante el frente del cajón de acero inoxidable o el frente del cajón integrable de la Serie E. Vea la siguiente ilustración y las páginas 28–31 para conocer las especificaciones de instalación de los hornos dobles de la Serie E.

Recuerde que el tamaño del panel fabricado a medida para el cajón calentador con frente integrado puede variar según cada instalación. Consulte las instrucciones de instalación que se proporcionan con el frente de cajón calentador si desea obtener información más detallada. Las medidas pueden variar dependiendo de cada instalación.

INSTALACIÓN ESTÁNDAR - MODELOS ICBDO30-2F/S E ICBDO30-2U/S



PLATAFORMA

APLICACIÓN ANTI-VUELCO

NOTA: A menos que vaya a utilizar armarios con un fondo superior a 610 mm, se recomienda que la toma eléctrica del horno se coloque en un armario contiguo.

Horno doble instalado encima de cajón calentador con frente de acero inoxidable de la Serie E.

REQUISITOS **ELÉCTRICOS**

⚠ AVISO

Compruebe que la unidad está desconectada de la caja de conexiones antes de continuar.

⚠ AVISO

El aparato debe estar conectado a tierra de manera correcta siempre que esté conectado a la red eléctrica.

NOTA: Si la conexión no se realiza de manera correcta, existe riesgo de que se produzca un incendio.

NOTA
IMPORTANTE

Deberá cumplir la normativa eléctrica nacional al instalar el aparato.

HORNOS SENCILLOS DE LA SERIE E

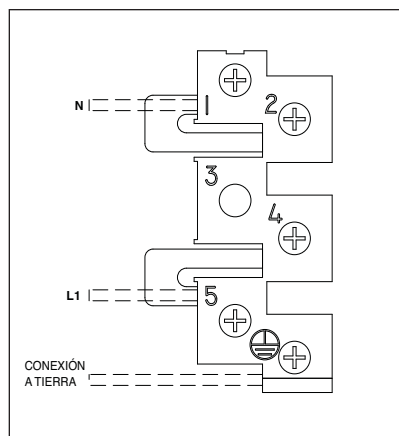
- **Alimentación eléctrica requerida:**
220-240V CA, 50/60 Hz
- **Carga máxima conectada:**
5,1 kW
- **Amperaje total:** 21 amperios
- **Tamaño mínimo del cable de alimentación:**
L1, N y toma a tierra–10 AWG

HORNOS DOBLES DE LA SERIE E

- **Alimentación eléctrica requerida:**
220-240V CA, 50/60 Hz
- **Carga máxima conectada:**
8,9 kW

Vea el cuadro de conexiones que muestra las conexiones de cada cable a la caja de cables en la unidad.

Abra la caja de cables para ver los tornillos con los números correspondientes. Afloje los tornillos 1, 5 y el tornillo de conexión a tierra. Pase el cable por el agujero aliviador de tensión e introdúzcalo en la caja de cables. Conecte el cable neutro en la posición número 1. El cable de línea debe conectarse en la posición número 5 y el cable de conexión a tierra en el tornillo de conexión a tierra correspondiente. Una vez que haya apretado los tornillos, apriete el aliviador de tensión del cable y cierre la tapa de la caja de cables asegurándose de que los cables no quedan enganchados.



Cuadro de conexiones



REQUISITOS **ELÉCTRICOS**

Con el horno colocado justo delante de la apertura del armario, introduzca el cable apto para el voltaje unido a la caja de cables del horno a través de la apertura en la plataforma del armario (donde proceda). Después, según la normativa nacional, utilice una de las siguientes técnicas para conectar el aparato al suministro eléctrico.

INSTALACIÓN DEL HORNO

DESEMBALAJE DEL HORNO

⚠ PRECAUCIÓN

El horno no está montado sobre la base de envío. No retire las cintas hasta que el horno se encuentre en su lugar de instalación.

Corte las correas de plástico y retire los dos esquineros. Quite las cuatro esquinas de espuma superiores y los postes esquineros. Levante la hoja de cartón y sáquela por encima del aparato para retirarla.

Saque del interior del horno todas las bandejas, las guías de éstas y la bandeja para asar. En el caso del horno doble, asegúrese que saca estos accesorios de los dos hornos.

Retire las cuatro esquinas inferiores. Tenga cuidado, ya que el horno no está montado en la base de envío. Deje la espuma inferior en su lugar cuando vaya a mover o desplazar el horno en un carro. La espuma inferior también protege el contramarco instalado de fábrica.

⚠ PRECAUCIÓN

No retire la espuma inferior hasta que el horno se haya colocado junto a la apertura de instalación.

NOTA IMPORTANTE: Antes de desplazar el horno, proteja el acabado del suelo con lo que resulte adecuado para evitar dañarlo.

Quite y tire todo el material de embalaje, incluido el embalaje de cartón y la cinta que envuelve la parte exterior del horno y el interior de éste.

⚠ PRECAUCIÓN

No utilice el tirador de la puerta para levantar el horno. Podría dañar la puerta y las bisagras del horno.



INSTALACIÓN DEL HORNO

RETIRADA DE LA PUERTA DEL HORNO

Para reducir el peso del horno y facilitar su instalación, puede optar por retirar la(s) puerta(s) del horno.

Para retirar la puerta del horno:

- Abra la puerta del horno por completo.
- Gire hacia abajo el pasador de la bisagra de cada lado.
- Cierre la puerta del horno todo lo que pueda.
- Mientras sujeta la puerta del horno por ambos lados con las dos manos, levante la puerta del horno hacia arriba. Siga empujando la puerta del horno cerrada y tire de ella para sacarla del marco del horno.

Para volver a colocar la puerta en el horno:

- Inserte los brazos de soporte en las aperturas del marco del horno.
- Abra la puerta del horno. Debería escuchar un "clic" cuando la puerta quede colocada en su sitio.
- Mueva las palancas de las bisagras hacia la posición de bloqueo. Asegúrese de que la puerta puede abrirse y cerrarse con facilidad. Si no es así, repita los procedimientos de retirada y de recolocación.

COLOCACIÓN DEL HORNO

⚠ PRECAUCIÓN

El horno pesa mucho— tenga cuidado al levantarlo. Se recomienda levantarlo y colocarlo en la abertura entre dos personas. Utilice guantes para proteger las manos de los bordes afilados.

Sujete el horno por el borde superior y el lado inferior del bastidor y levante el horno con cuidado hasta la abertura del armario.

Una vez que el horno está apoyado en la plataforma base del armario, deslícelo en la abertura hasta que falten 152 mm aproximadamente para insertarlo por completo. Si es necesario, asegúrese de que el instalador ha suministrado el sistema de deslizamiento de cable a través de la abertura en la plataforma del armario cuando el horno se desliza y coloca en su sitio.

NOTA IMPORTANTE: El cable suministrado por el instalador debe estar colocado en el área acoplada situada a lo largo del borde vertical trasero derecho del horno. Asegúrese de que el cable no queda atrapado entre el horno y la pared interna del armario.

⚠ PRECAUCIÓN

No bloquee la salida de aire del horno situada en la parte inferior del horno. Si se bloquea esta salida de aire, se puede dañar el armario y el horneado puede resultar deficiente.



INSTALACIÓN DEL HORNO

MONTAJE EN EL MOBILIARIO

Cuando el horno se encuentre totalmente insertado en la abertura del armario, localice los agujeros de montaje en el contramarco lateral del horno. Los hornos sencillos tienen cuatro agujeros de este tipo mientras que los hornos dobles tienen seis. Observe la siguiente ilustración. Utilice una broca de 2 mm para taladrar agujeros guía en el armario. Utilice los tornillos para madera proporcionados para fijar el horno al armario a través de los agujeros de montaje.



⚠ AVISO

Si no se han fijado correctamente los tornillos de montaje, el horno podría moverse o inclinarse hacia delante durante su funcionamiento. Esto podría provocar daños en el horno o heridas en el usuario.

FUNCIONAMIENTO DEL HORNO

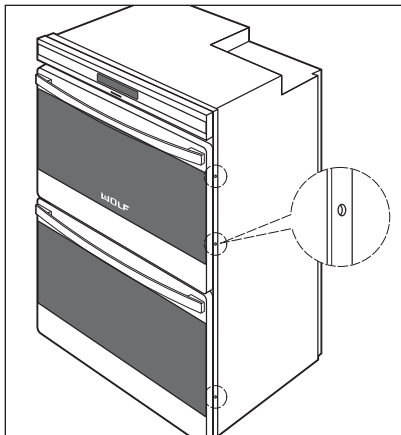
NOTA IMPORTANTE: Antes de utilizar el horno, asegúrese de que lee la guía de uso y mantenimiento que se facilita con los hornos empotrables Serie E de Wolf, para conocer la información de seguridad importante relacionada con el horno.

Desembale la caja que contiene los componentes del horno y que se encuentra en el interior del horno. Instale las guías de las bandejas del horno sobre los tornillos de resalto situados en las paredes laterales del interior del horno. Deslice las bandejas sobre los soportes dentro del horno. Existen tres bandejas por horno. Si lo desea, coloque la bandeja para asar y la rejilla en una bandeja en el horno.

Encienda el suministro eléctrico del horno. Ajuste la hora del día; para ello pulse el botón  **SET CLOCK**, introduzca la hora deseada con las teclas numéricas y, después, pulse  **ENTER**.

En el panel de mandos, seleccione uno de los diez modos de cocción. Compruebe que la temperatura del horno va subiendo. En el caso de un horno doble, compruebe el funcionamiento en ambos hornos.

NOTA IMPORTANTE: Es posible que se produzca algo de humo y de olor durante el período de arranque inicial. Consulte la guía de uso y mantenimiento para obtener más información.



Ubicación de los agujeros de montaje



INFORMACIÓN DE CONTACTO

Página Web:
www.sub-zero.eu.com

SOLUCIÓN DE **PROBLEMAS**

NOTA IMPORTANTE: Si el horno integrable no funciona correctamente, siga estos pasos de localización y solución de problemas:

- Compruebe que el horno está conectado a la red eléctrica.
- Compruebe las conexiones eléctricas para asegurarse de que la instalación se ha llevado a cabo de manera correcta.
- Realice los procedimientos de solución de problemas tal y como se describe en la guía de uso y mantenimiento de los hornos integrables Serie E de Wolf.
- Si el horno sigue sin funcionar, póngase en contacto con el centro de asistencia técnica de Wolf. No intente realizar usted mismo ninguna reparación en el horno. Wolf no se hace responsable de las tareas de mantenimiento que deban realizarse para corregir una instalación defectuosa.

CUADRO DE **CONEXIONES**

El cuadro de conexiones correspondiente al circuito de control se sitúa en la parte superior del horno en una bolsa de plástico sellada.

SI NECESITA **ASISTENCIA TÉCNICA**

- Para buscar el servicio técnico más cercano, póngase en contacto con su distribuidor de Wolf o visite la página Web, www.sub-zero.eu.com, para buscar el distribuidor más cercano.
- Cuando solicite asistencia técnica, deberá tener localizado el número de serie y el modelo del horno integrable. Encontrará estos números en la placa de datos del producto, situada en la parte derecha del borde del horno, justo encima de la puerta. Abra la puerta del horno para verla. Consulte la ilustración de la página 23 para ubicar la placa de datos.



La información y las imágenes que se incluyen en esta guía son propiedad de Wolf Appliance, Inc., una filial de Sub-Zero, Inc. Este documento junto con la información y las imágenes que en él se incluyen no pueden copiarse ni utilizarse, total ni parcialmente, sin el consentimiento por escrito de Wolf Appliance, Inc., una filial de Sub-Zero, Inc.

© Wolf Appliance, Inc. se reserva todos los derechos.



WOLF[®]

CONTACT

Site Internet :
wolfappliance.com

Vous remarquerez tout au long de ce manuel d'instructions les mentions **ATTENTION** et **MISE EN GARDE** destinées à fournir des recommandations importantes afin d'assurer la sécurité et l'efficacité de l'installation de l'équipement Wolf. Deux types de dangers potentiels peuvent se présenter pendant l'installation.

▲ MISE EN GARDE

signale un danger qui pourrait causer une blessure mineure ou endommager le produit si vous ne suivez pas les instructions.

▲ ATTENTION

signale un danger qui pourrait causer des blessures graves voire fatales si vous ne prenez pas certaines précautions.

De plus, la mention **REMARQUE IMPORTANTE** met l'accent sur un renseignement particulièrement important pour assurer une installation parfaite.



EXIGENCES RELATIVES A L'INSTALLATION

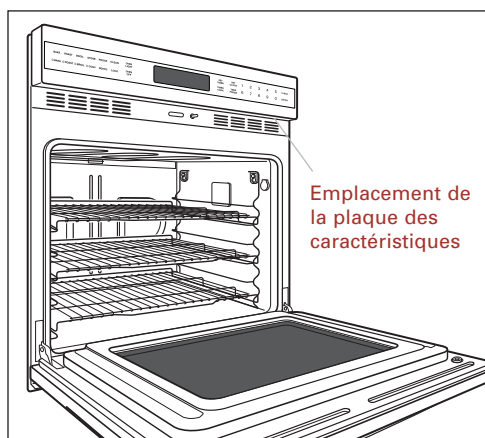
REMARQUE IMPORTANTE : L'installation doit être effectuée par un poseur qualifié.

REMARQUE IMPORTANTE : Conservez ces instructions d'installation pour le technicien local.

- Veuillez lire les instructions d'installation dans leur intégralité avant de procéder à l'installation.
- **Poseur :** veuillez conserver ces instructions afin que le technicien puisse s'y reporter, puis laissez-les au propriétaire.
- **Propriétaire :** veuillez lire et conserver ces instructions pour pouvoir vous y reporter ultérieurement et assurez-vous de lire le Guide d'utilisation et d'entretien dans son intégralité avant d'utiliser votre appareil.

REMARQUE IMPORTANTE : Cet appareil ménager doit être installé conformément à tous les codes locaux. La tension, la fréquence et l'ampérage appropriés doivent être fournis à cet appareil à partir d'un circuit spécial, mis à la terre et protégé par un disjoncteur ou un fusible à fusion temporisée adapté à l'intensité de courant requise. La tension, la fréquence et l'ampérage requis sont indiqués sur la plaque des caractéristiques du produit.

Consignez les numéros de modèle et de série avant d'installer le four encastrable. Ces deux numéros figurent sur la plaque des caractéristiques du produit située sur le côté droit de la moulure du four, juste au-dessus de la porte. Vous devez ouvrir la porte du four pour voir la plaque des caractéristiques. Reportez-vous à l'illustration ci-après.



Emplacement de la plaque des caractéristiques

PREPARATION DE L'EMPLACEMENT

REMARQUE IMPORTANTE : Vous devez prévoir une profondeur utilisable d'élément de cuisine de 610 mm minimum. Sinon, vous devrez peut-être enlever le panneau arrière de l'élément pour pouvoir réaliser une installation adéquate. Pour une installation avec panneau d'affleurement, la profondeur utilisable d'élément de cuisine nécessaire est de 635 mm minimum. Le coffret électrique doit affleurer au panneau arrière de l'élément de cuisine.

L'ouverture dans laquelle sera insérée le four doit être pourvue d'une plate-forme plate et de niveau sur laquelle reposera le four. Cette plate-forme doit pouvoir supporter un poids minimum de 113 kg pour les fours simples et de 181 kg pour les fours doubles.

REMARQUE IMPORTANTE : Les fours encastrables Wolf sont étudiés et approuvés pour être installés avec des plaques de cuisson, des fours micro-ondes ou des tiroirs chauffants de marque Wolf uniquement. La largeur nominale du four encastrable devrait correspondre à la largeur nominale de la plaque de cuisson. Un four encastrable ne peut pas être installé sous un entablement Wolf.

INFORMATIONS
FIGURANT SUR
LA PLAQUE DES
CARACTERISTIQUES

Numéro de modèle

Numéro de série



FOURS ENCASTRABLES SIMPLES
SERIE E

MODELES ICBSO30-2F/S ET
ICBSO30-2U/S

REMARQUE IMPORTANTE : Vous devez prévoir une profondeur utilisable d'élément de cuisine de 610 mm minimum. Sinon, vous devrez peut-être enlever le panneau arrière de l'élément pour pouvoir réaliser une installation adéquate. Pour une installation avec panneau d'affleurement, la profondeur utilisable d'élément de cuisine nécessaire est de 635 mm minimum. Le coffret électrique doit affleurer au panneau arrière de l'élément de cuisine.

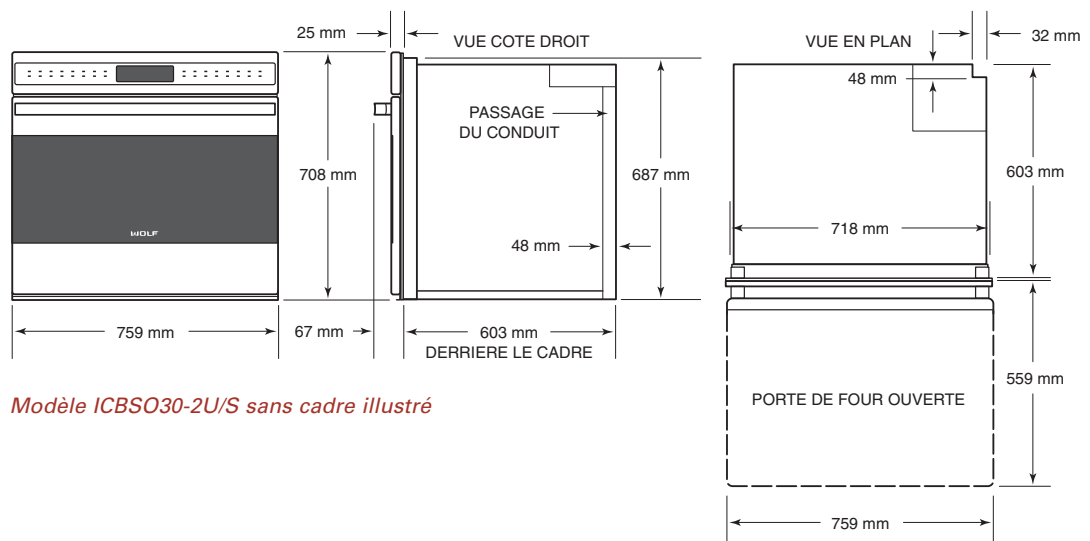
Pour faciliter l'installation, Wolf recommande d'utiliser des éléments de cuisine de 838 mm de largeur avec le four simple Série E. Pour une installation avec panneau d'affleurement, la largeur minimum d'élément de cuisine nécessaire est de 838 mm. La plate-forme de l'élément de cuisine doit pouvoir supporter un poids de 113 kg.

Reportez-vous aux figures suivantes pour consulter les dimensions hors-tout et les spécifications d'installation et pour repérer l'emplacement des raccordements électriques du four simple Série E.

Le four simple Série E exige une alimentation électrique distincte et mise à la terre à trois fils de 220 - 240 V c.a., 50/60 Hz, 30 A avec son propre disjoncteur. Reportez-vous à la section Configuration électrique page 52. Le four est fourni sans prise de courant.

REMARQUE IMPORTANTE : Il est recommandé de placer l'alimentation électrique dans un élément de cuisine adjacent, sauf si vous utilisez des éléments de cuisine d'une profondeur de plus de 610 mm pour une installation standard ou de plus de 635 mm pour une installation avec panneau d'affleurement. Choisissez dans les figures pages 44 et 45 l'emplacement le mieux adapté à votre installation.

DIMENSIONS HORS TOUT – MODELES ICBSO30-2F/S ET ICBSO30-2U/S



Modèle ICBSO30-2U/S sans cadre illustré



FOURS ENCASTRABLES SIMPLES

SERIE E

INSTALLATION STANDARD

REMARQUE IMPORTANTE : Dans le cas des installations standard, vous devez prévoir une profondeur utilisable d'élément de cuisine de 610 mm minimum. Sinon, vous devrez peut-être enlever le panneau arrière de l'élément pour pouvoir réaliser une installation adéquate. Le coffret électrique doit affleurer au panneau arrière de l'élément de cuisine.

De plus, dans le cas des installations standard, le four encastrable Série E est inséré dans l'élément de cuisine, de l'avant. Le four est pourvu d'une moulure frontale sur les quatre côtés qui empiète sur les montants et les rails. La moulure empiète de 3 mm sur le bas, de 8 mm sur le dessus et de 19 mm de chaque côté.

INSTALLATION AVEC PANNEAU D'AFFLEUREMENT

REMARQUE IMPORTANTE : Dans le cas des installations avec panneau d'affleurement, vous devez prévoir une profondeur utilisable d'élément de cuisine de 635 mm minimum. Sinon, vous devrez peut-être enlever le panneau arrière de l'élément pour pouvoir réaliser une installation adéquate. Le coffret électrique doit affleurer au panneau arrière de l'élément de cuisine.

De plus, dans le cas d'une installation avec panneau d'affleurement, le four doit être encastré dans l'élément de cuisine. Un élément de cuisine d'une largeur minimum de 838 mm et d'une profondeur minimum de 635 mm est requis si vous souhaitez que la façade du four affleure aux éléments de cuisine adjacents.

REMARQUE IMPORTANTE : L'installation avec panneau d'affleurement exige que les bords intérieurs de l'ouverture soient finis car ils seront visibles lorsque la porte du four sera ouverte. Afin d'éviter les dommages causés par les températures élevées pendant l'autonettoyage du four, ces bords devraient être teintés plutôt que laminés.

INSTALLATIONS COMBINÉES

Il est possible d'installer un four simple Wolf Série E sous une plaque de cuisson à induction, électrique ou au gaz Wolf de 762 mm. Il est recommandé de placer l'alimentation électrique dans un élément de cuisine inférieur, à droite du four, sauf si vous utilisez des éléments de cuisine d'une profondeur de plus de 610 mm pour une installation standard ou de plus de 635 mm pour une installation avec panneau d'affleurement. Il est possible d'installer un four simple Wolf Série E sous une plaque de cuisson à induction, électrique ou au gaz Wolf de 914 mm.

Vous pouvez également installer deux fours simples Wolf Série E côte à côte. Vous devez alors prévoir un espace de 64 mm entre les ouvertures ménagées pour les fours. De plus, un mur intérieur distinct est requis pour chaque four entre les ouvertures.



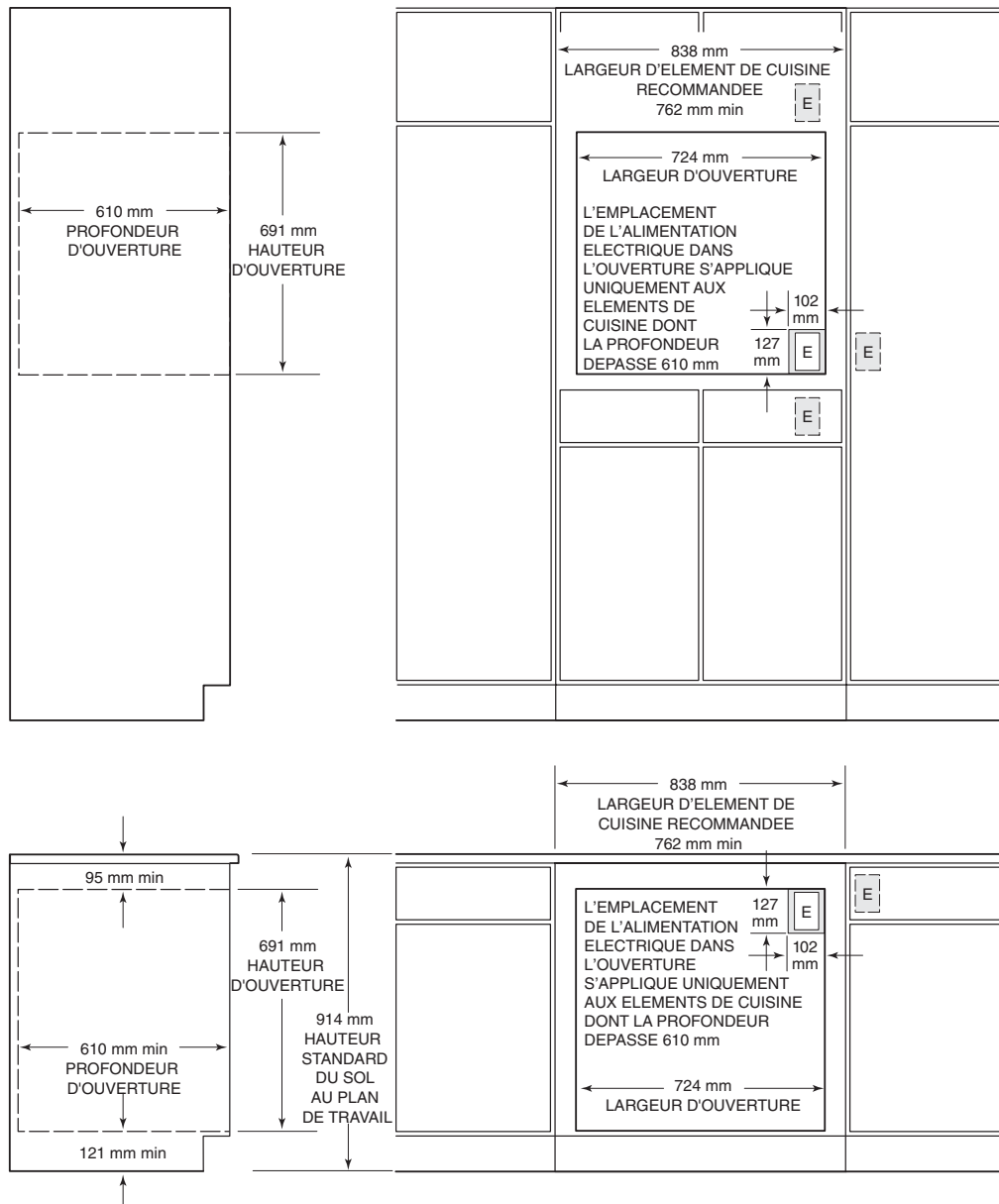
FOURS ENCASTRABLES SIMPLES
SERIE E

INSTALLATION STANDARD

Largeur hors tout du four	759 mm
Hauteur hors tout du four	708 mm
Profondeur hors tout du four (derrière le cadre)	603 mm
Dégagement de la porte du four	559 mm
Largeur d'élément de cuisine recommandée	838 mm

Largeur minimum de l'élément de cuisine	762 mm
Profondeur minimum de l'élément de cuisine (ouverture)	610 mm
Largeur d'ouverture	724 mm
Hauteur d'ouverture	691 mm
Capacité minimum de support de la base	113 kg

INSTALLATION STANDARD – MODELES ICBSO30-2F/S ET ICBSO30-2U/S





FOURS ENCASTRABLES SIMPLES

SERIE E

INSTALLATION AVEC PANNEAU D'AFFLEUREMENT

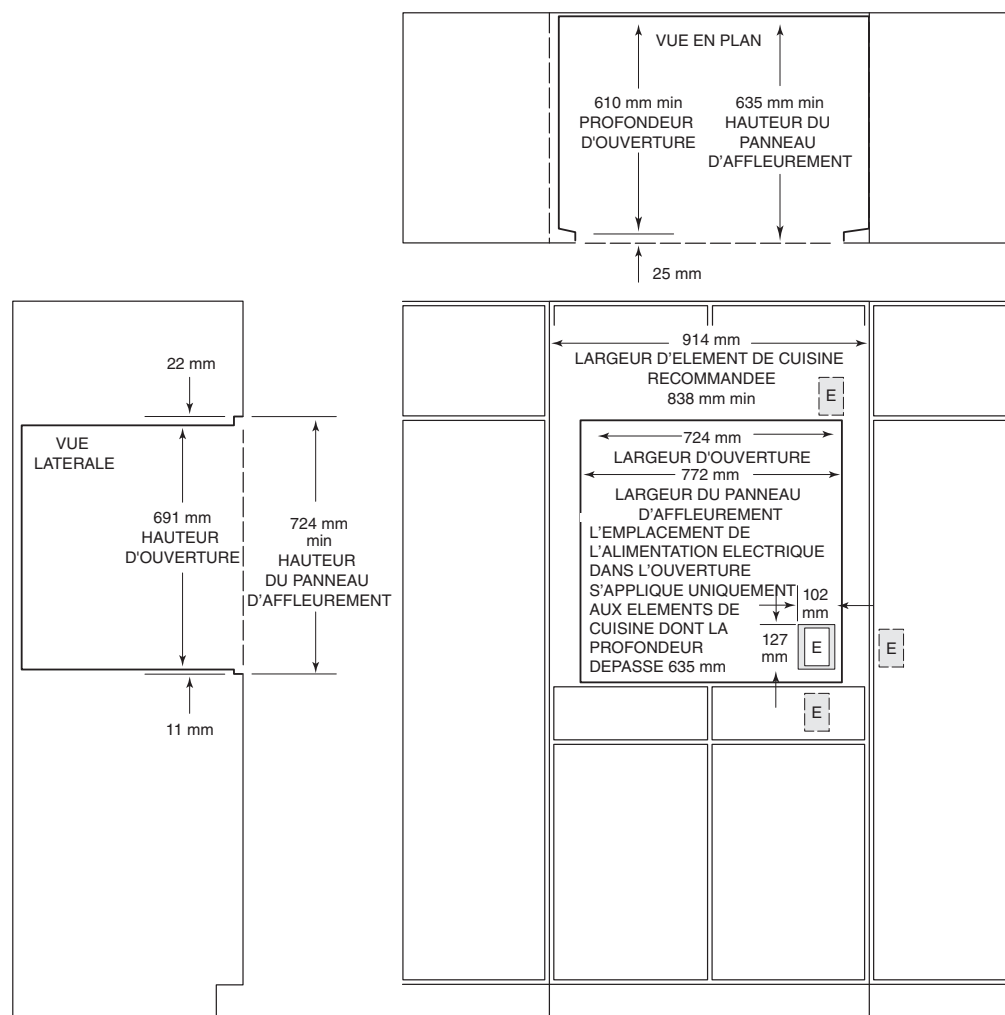
Largeur hors tout du four	759 mm
Hauteur hors tout du four	708 mm
Profondeur hors tout du four (derrière le cadre)	603 mm
Dégagement de la porte du four	559 mm
Capacité minimum de support de la base	113 kg

Largeur minimum de l'élément de cuisine	838 mm
Profondeur minimum du panneau d'affleurement	635 mm
Largeur d'ouverture	724 mm
Largeur minimum du panneau d'affleurement	772 mm
Hauteur d'ouverture	691 mm
Hauteur minimum du panneau d'affleurement	724 mm

REMARQUE IMPORTANTE

L'installation avec panneau d'affleurement exige que les bords intérieurs de l'ouverture soient finis car ils seront visibles lorsque la porte du four sera ouverte.

INSTALLATION AVEC PANNEAU D'AFFLEUREMENT – MODELES ICBSO30-2F/S ET ICBSO30-2U/S





FOURS ENCASTRABLES
DOUBLES SERIE E

MODELES ICBD030-2F/S ET
ICBD030-2U/S

REMARQUE IMPORTANTE : Vous devez prévoir une profondeur utilisable d'élément de cuisine de 610 mm minimum. Sinon, vous devrez peut-être enlever le panneau arrière de l'élément pour pouvoir réaliser une installation adéquate. Pour une installation avec panneau d'affleurement, la profondeur utilisable d'élément de cuisine nécessaire est de 635 mm minimum. Le coffret électrique doit affleurer au panneau arrière de l'élément de cuisine.

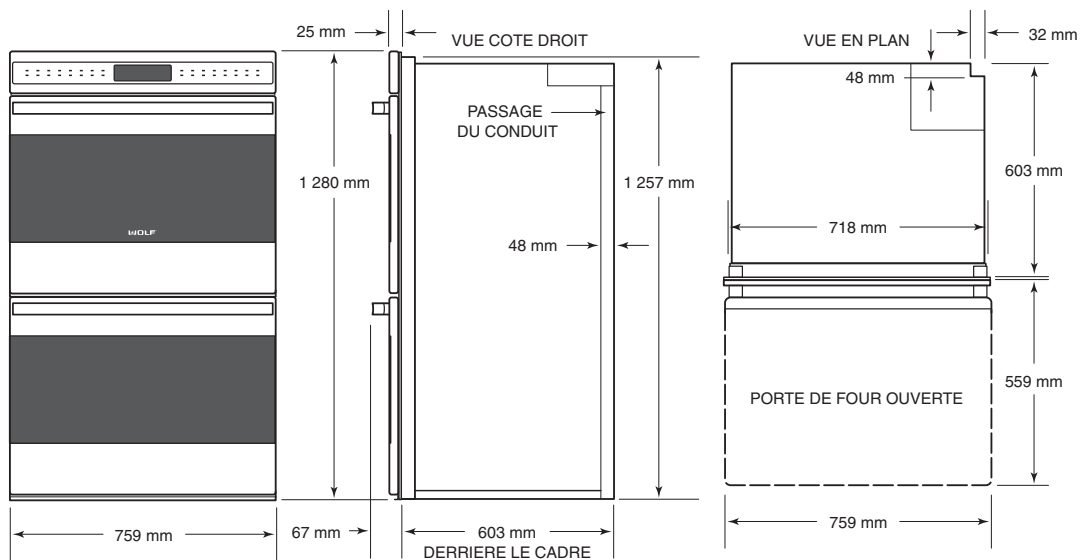
Pour faciliter l'installation, Wolf recommande d'utiliser des éléments de cuisine de 838 mm de largeur avec le four double Série E. Pour une installation avec panneau d'affleurement, la largeur minimum d'élément de cuisine nécessaire est de 838 mm. La plate-forme de l'élément de cuisine doit pouvoir supporter un poids de 181 kg.

Reportez-vous aux figures suivantes pour consulter les dimensions hors-tout et les spécifications d'installation et pour repérer l'emplacement des raccordements électriques du four double Série E.

Le four double Série E exige une alimentation électrique distincte et mise à la terre à trois fils de 220 - 240 V c.a., 50/60 Hz, 50 A avec son propre disjoncteur. Reportez-vous à la section Configuration électrique page 52. Le four est fourni sans prise de courant.

REMARQUE IMPORTANTE : Il est recommandé de placer l'alimentation électrique dans un élément de cuisine adjacent, sauf si vous utilisez des éléments de cuisine d'une profondeur de plus de 610 mm pour une installation standard ou de plus de 635 mm pour une installation avec panneau d'affleurement. Choisissez dans les figures pages 48 et 49 l'emplacement le mieux adapté à votre installation.

DIMENSIONS HORS TOUT – MODELES ICBD030-2F/S ET ICBD030-2U/S



Modèle ICBD030-2U/S sans cadre illustré.



**FOURS ENCASTRABLES
DOUBLES SÉRIE E**

INSTALLATION STANDARD

REMARQUE IMPORTANTE : Dans le cas des installations standard, vous devez prévoir une profondeur utilisable d'élément de cuisine de 610 mm minimum. Sinon, vous devrez peut-être enlever le panneau arrière de l'élément pour pouvoir réaliser une installation adéquate. Le coffret électrique doit affleurer au panneau arrière de l'élément de cuisine.

De plus, dans le cas des installations standard, le four encastrable Série E est inséré dans l'élément de cuisine, de l'avant. Le four est pourvu d'une moulure frontale sur les quatre côtés qui empiète sur les montants et les rails. La moulure empiète de 3 mm sur le bas, de 8 mm sur le dessus et de 19 mm de chaque côté.

**INSTALLATION AVEC PANNEAU
D'AFFLEUREMENT**

REMARQUE IMPORTANTE : Dans le cas des installations avec panneau d'affleurement, vous devez prévoir une profondeur utilisable d'élément de cuisine de 635 mm minimum. Sinon, vous devrez peut-être enlever le panneau arrière de l'élément pour pouvoir réaliser une installation adéquate. Le coffret électrique doit affleurer au panneau arrière de l'élément de cuisine.

De plus, dans le cas d'une installation avec panneau d'affleurement, le four doit être encastré dans l'élément de cuisine. Un élément de cuisine d'une largeur minimum de 838 mm et d'une profondeur minimum de 635 mm est requis si vous souhaitez que la façade du four affleure aux éléments de cuisine adjacents.

REMARQUE IMPORTANTE : L'installation avec panneau d'affleurement exige que les bords intérieurs de l'ouverture soient finis car ils seront visibles lorsque les portes du four seront ouvertes. Afin d'éviter les dommages causés par les températures élevées pendant l'autonettoyage du four, ces bords devraient être teintés plutôt que laminés.

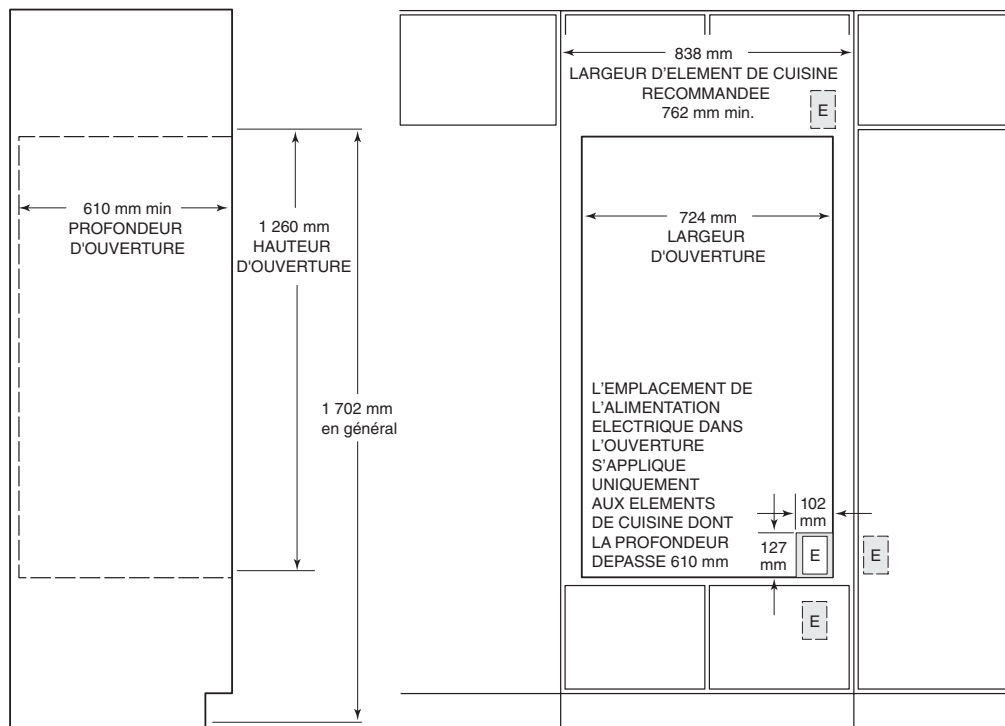
FOURS ENCASTRABLES
DOUBLES SERIE E

INSTALLATION STANDARD

Largeur hors tout du four	759 mm
Hauteur hors tout du four	1 292 mm
Profondeur hors tout du four (derrière le cadre)	603 mm
Dégagement de la porte du four	559 mm
Largeur d'élément de cuisine recommandée	838 mm

Largeur minimum de l'élément de cuisine	762 mm
Profondeur minimum de l'élément de cuisine (ouverture)	610 mm
Largeur d'ouverture	724 mm
Hauteur d'ouverture	1 260 mm
Capacité minimum de support de la base	181 kg

INSTALLATION STANDARD – MODELES ICBDO30-2F/S ET ICBDO30-2U/S





**FOURS ENCASTRABLES
DOUBLES SERIE E**

**INSTALLATION AVEC PANNEAU
D'AFFLEUREMENT**

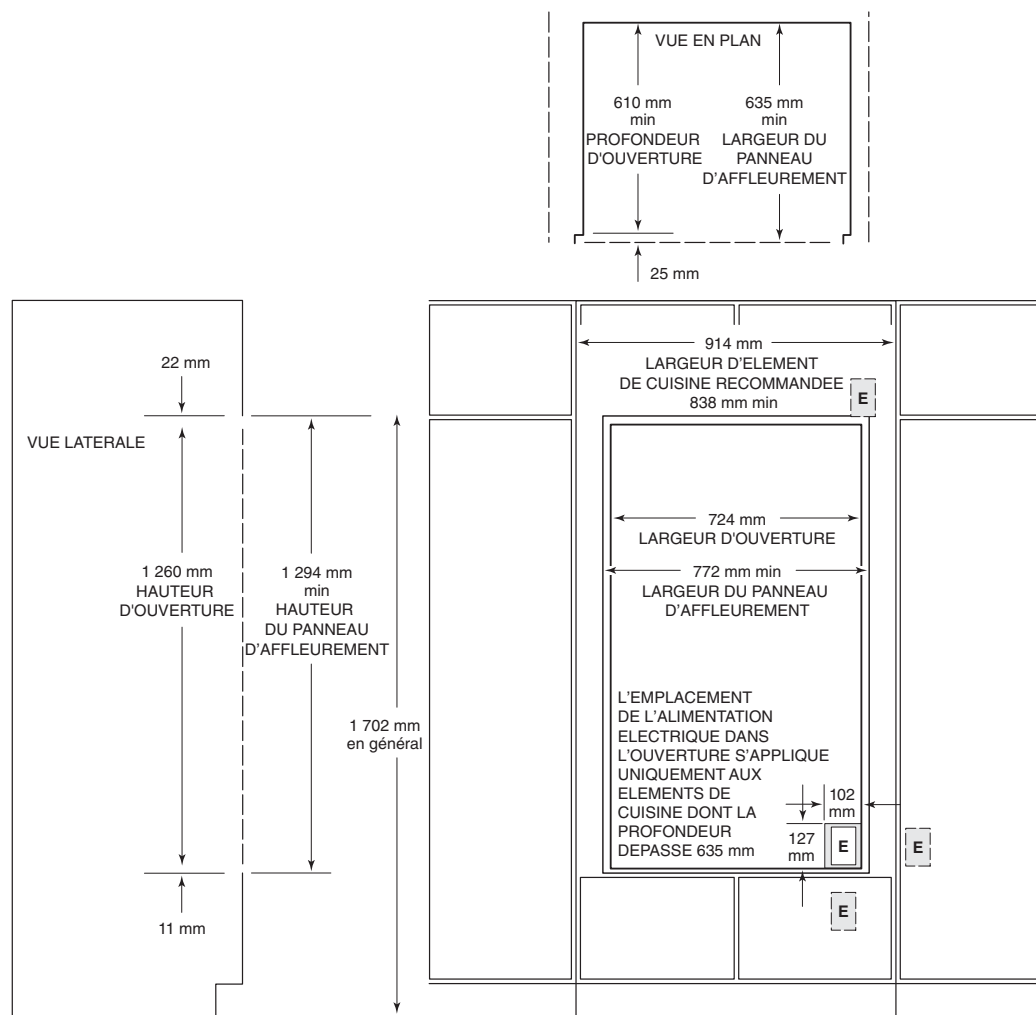
Largeur hors tout du four	759 mm
Hauteur hors tout du four	1 292 mm
Profondeur hors tout du four (derrière le cadre)	603 mm
Dégagement de la porte du four	559 mm
Capacité minimum de support de la base	181 kg

Largeur minimum de l'élément de cuisine	838 mm
Profondeur minimum du panneau d'affleurement	635 mm
Largeur d'ouverture	724 mm
Largeur minimum du panneau d'affleurement	772 mm
Hauteur d'ouverture	1 260 mm
Hauteur minimum du panneau d'affleurement	1 294 mm

**REMARQUE
IMPORTANTE**

L'installation avec panneau d'affleurement exige que les bords intérieurs de l'ouverture soient finis car ils seront visibles lorsque les portes du four seront ouvertes.

INSTALLATION AVEC PANNEAU D'AFFLEUREMENT – MODELES ICBDO30-2F/S ET ICBDO30-2U/S





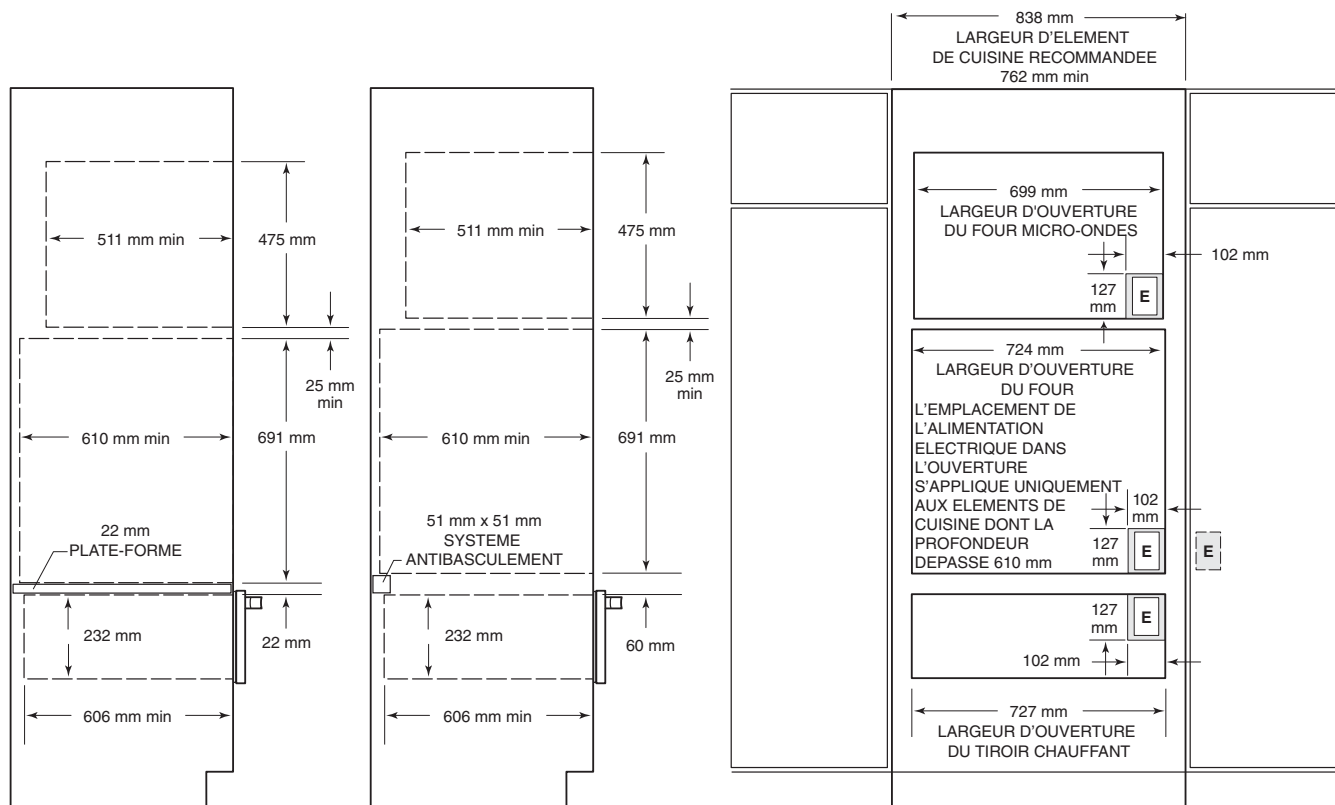
OPTIONS D'INSTALLATION
STANDARD

FOUR ENCASTRABLE SIMPLE SERIE E

Le four simple Wolf Série E peut être installé combiné à un four micro-ondes pourvu ou non d'un système de convection avec un kit de moulure Série E de 762 mm et à un tiroir chauffant Wolf avec une façade de tiroir en acier inoxydable ou intégrée Série E. Reportez-vous à la figure ci-après et aux pages 42 – 45 pour consulter les spécifications d'installation des fours simples Série E.

N'oubliez pas que les dimensions du panneau sur mesure utilisé pour le tiroir chauffant avec façade intégrée varient selon l'installation. Pour consulter les spécifications détaillées, reportez-vous aux instructions d'installation fournies avec le kit de moulure de micro-ondes ou la façade de tiroir chauffant. Les dimensions varient selon le type d'installation.

INSTALLATION STANDARD – MODELES ICBSO30-2F/S ET ICBSO30-2U/S



UTILISATION D'UNE PLATE-FORME

APPLICATION ANTIBASCULEMENT

REMARQUE : Sauf si vous utilisez des éléments de cuisine d'une profondeur supérieure à 610 mm, il est recommandé de placer l'alimentation électrique du four dans un élément adjacent.

Installation combinée d'un four simple et d'un micro-ondes à convection avec la moulure Série E de 762 mm et d'un tiroir chauffant avec la façade de tiroir Série E en acier inoxydable



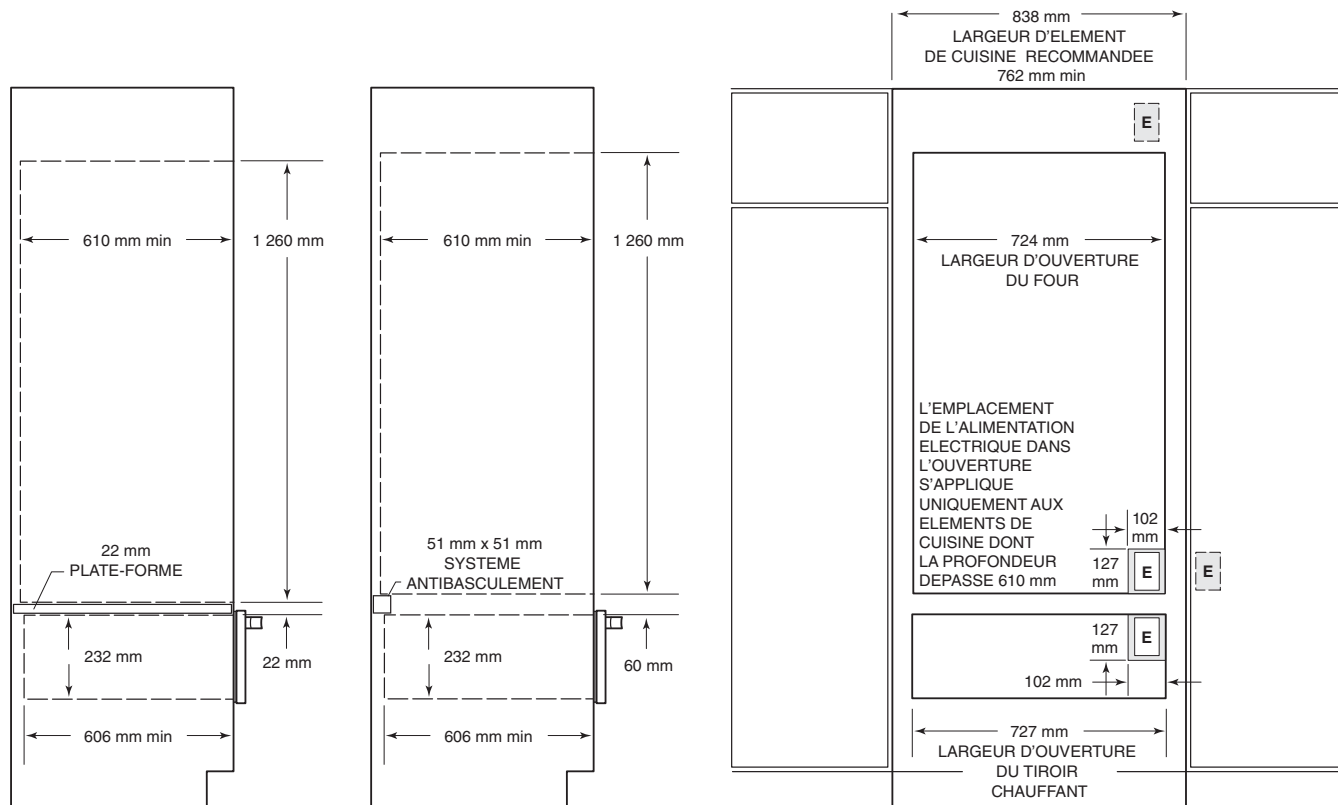
OPTIONS D'INSTALLATION
STANDARD

FOUR ENCASTRABLE DOUBLE SERIE E

Le four double Wolf Série E peut être installé combiné à un tiroir chauffant Wolf avec la façade de tiroir Série E en acier inoxydable ou intégrée. Reportez-vous à la figure ci-après et aux pages 46 – 49 pour consulter les spécifications d'installation des fours doubles Série E.

N'oubliez pas que les dimensions du panneau sur mesure utilisé pour le tiroir chauffant avec façade intégrée varient selon l'installation. Pour consulter les spécifications détaillées, reportez-vous aux instructions d'installation fournies avec la façade de tiroir chauffant. Les dimensions varient selon l'installation.

INSTALLATION STANDARD – MODELES ICBDO30-2F/S ET ICBDO30-2U/S



UTILISATION D'UNE PLATE-FORME

UTILISATION DU SYSTEME ANTIBASCULEMENT

REMARQUE : Sauf si vous utilisez des éléments de cuisine d'une profondeur supérieure à 610 mm, il est recommandé de placer l'alimentation électrique du four dans un élément adjacent.

Four double installé au-dessus d'un tiroir chauffant avec la façade de tiroir Série E en acier inoxydable.

CONFIGURATION ELECTRIQUE

⚠ ATTENTION

Avant de poursuivre, assurez-vous que le courant est coupé à partir du coffret électrique.

⚠ ATTENTION

L'appareil au complet doit être correctement mis à la terre en tout temps lorsqu'il est sous tension.

REMARQUE
IMPORTANTE

Renseignez-vous sur les ordonnances et codes locaux lorsque vous installez votre alimentation électrique.

FOURS SERIE E SIMPLES

- **Alimentation électrique requise :**
220 - 240 V c.a., 50/60 Hz
- **Charge maximum connectée :**
5,1 kW
- **Ampérage total :** 21 A
- **Calibre minimum du fil d'alimentation :**
L1, N et terre-10 AWG

FOURS SERIE E DOUBLES

- **Alimentation électrique requise :**
220 - 240 V c.a., 50/60 Hz
- **Charge maximum connectée :**
8,9 kW

Reportez-vous au schéma de câblage illustrant les branchements de chaque fil à la boîte de raccordement de l'appareil.

REMARQUE : Un branchement inadéquat peut provoquer un incendie.

Ouvrez la boîte de raccordement de façon à faire apparaître les vis avec les numéros correspondants. Desserrez les vis 1, 5 et les vis de borne de terre. Insérez le cordon dans l'orifice du serre-câble puis dans la boîte de raccordement. Attachez le fil neutre à l'emplacement 1. La ligne devrait être raccordée à l'emplacement 5 ; branchez le fil de terre à la vis de borne de terre correspondante. Après avoir serré les vis, serrez le serre-câble du cordon, puis rabattez le couvercle de la boîte de raccordement en veillant à ne pincer aucun fil.

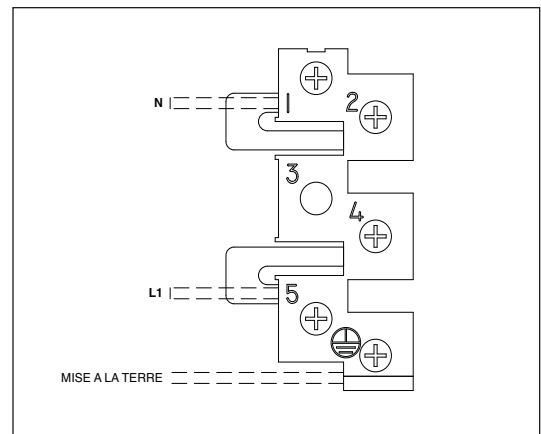


Schéma de câblage

**CONFIGURATION ELECTRIQUE**

Placez le four face à l'ouverture de l'élément de cuisine, acheminez le cordon électrique de calibre approprié raccordé à la boîte de raccordement du four par l'ouverture ménagée dans la plate-forme de l'élément de cuisine (s'il y a lieu). Ensuite, en fonction des codes locaux en vigueur, utilisez l'une des techniques suivantes pour brancher l'appareil à l'alimentation électrique.

INSTALLATION DU FOUR**DEBALLEZ LE FOUR****▲ MISE EN GARDE**

Le four n'est pas monté sur le socle d'expédition. Pour le moment, n'enlevez pas le cerclage autour de l'appareil.

Coupez les attaches en plastique et enlevez les deux planches en « V ». Enlevez les quatre coins en mousse sur le dessus ainsi que les montants d'angle. Enlevez le manchon en carton en le soulevant et en le dégageant de l'appareil.

Retirez toutes les grilles, les guides de grille et le lèche-frites de l'intérieur du four. Dans le cas d'un four double, assurez-vous de retirer tous ces éléments des deux fours (haut et bas).

Enlevez les quatre protections de coins inférieurs. Prenez les précautions requises car le four n'est pas monté sur le socle d'expédition. Laissez la mousse en place dans le bas lorsque vous déplacez ou charriez le four. Elle protège également la moulure installée à l'usine.

▲ MISE EN GARDE

N'enlevez pas la mousse dans le bas tant que le four n'a pas été placé près de l'ouverture dans laquelle il va être installé.

REMARQUE IMPORTANTE : Avant de déplacer le four, protégez le revêtement de sol à l'aide du matériel approprié.

Enlevez et jetez tout le matériel d'emballage, y compris le carton et le ruban adhésif appliqué sur l'extérieur du four et dans la cavité.

▲ MISE EN GARDE

Ne soulevez pas le four par le(s) poignée(s) de porte, vous endommageriez la porte et les charnières du four.



INSTALLATION DU FOUR

RETRAIT DE LA PORTE DU FOUR

Pour alléger le four et en faciliter l'installation, vous pouvez enlever la/les porte(s).

Pour enlever la porte du four :

- Ouvrez complètement la porte.
- Inclinez le loquet de charnière de chaque côté.
- Refermez la porte du four autant que vous le pouvez.
- Tout en tenant la porte du four de chaque côté avec les deux mains, soulevez-la. Continuez à la pousser pour la maintenir fermée et dégagez-la du cadre du four.

Pour remettre la porte du four en place :

- Insérez les deux tringles dans les ouvertures du cadre du four.
- Ouvrez la porte du four. Vous devriez percevoir un déclic tandis que la porte se met en place.
- Remettez les leviers de charnière à la position de verrouillage. Assurez-vous que la porte s'ouvre et se ferme sans effort. Sinon, répétez les procédures de retrait et de remise en place.

MISE EN PLACE DU FOUR

▲ MISE EN GARDE

Le four est très lourd — soulevez-le avec précaution. Il est recommandé de faire appel à deux personnes pour soulever et mettre en place le four dans l'ouverture. Mettez des gants pour vous protéger les mains des bords tranchants.

Tout en le tenant par le bord supérieur et par la base du châssis, soulevez le four avec précaution jusqu'à l'ouverture de l'élément de cuisine.

Posez le four sur la plate-forme de l'élément de cuisine et faites-le glisser à l'intérieur, à une profondeur de 152 mm environ. Au besoin, assurez-vous que le câble fourni par le poseur glisse dans l'ouverture ménagée dans la plate-forme de l'élément de cuisine tandis que le four glisse à sa place.

REMARQUE IMPORTANTE : Le câble fourni par le poseur doit être placé dans le renforcement situé le long du bord vertical arrière droit du four. Assurez-vous qu'il ne se coince pas entre le four et la paroi intérieure de l'élément de cuisine.

▲ MISE EN GARDE

Ne bloquez pas l'orifice d'évacuation d'air du four situé dans le bas du four au risque d'endommager l'élément de cuisine et d'entraver le fonctionnement du four.



INSTALLATION DU FOUR

FIXATION DU FOUR A L'ELEMENT DE CUISINE

Après avoir inséré complètement le four dans l'ouverture de l'élément de cuisine, repérez les trous de fixation situés sur la moulure latérale du four. Quatre trous de fixation sont prévus pour un four simple, six pour un four double. Reportez-vous à la figure ci-après. Utilisez une mèche de 2 mm pour percer les avant-trous dans l'élément de cuisine. Utilisez les vis à bois pour fixer le four à l'élément de cuisine au moyen des trous de fixation du four.



⚠ ATTENTION

Si les vis de fixation ne sont pas posées, le four pourrait bouger ou basculer pendant son fonctionnement et s'endommager ou entraîner des blessures.

UTILISATION DU FOUR

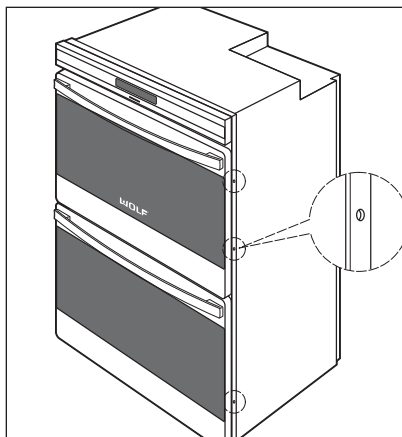
REMARQUE IMPORTANTE : Avant d'utiliser le four, assurez-vous de lire entièrement le Guide d'utilisation et d'entretien des fours encastrables Wolf série E fourni avec l'appareil pour prendre connaissance des informations importantes qu'il contient sur la sécurité.

Ouvrez la boîte contenant les composants du four et se trouvant dans chaque cavité de four. Installez les guides des grilles du four sur les vis à épaulement situées sur les parois latérales intérieures du four. Faites glisser les grilles sur les grilles supports. Il y a trois grilles par four. Vous pouvez placer le lèche-frites et la grille du lèche-frites sur une grille du four.

Mettez le four sous tension. Réglez l'heure en appuyant sur la touche à effleurement **REGLER L'HEURE**  ; entrez l'heure à l'aide des touches des chiffres, puis appuyez sur **ENTRER** .

Sélectionnez l'un des dix modes de cuisson sur le panneau des commandes. Vérifiez si le four atteint la température voulue. S'il s'agit d'un four double, assurez-vous que les deux fours fonctionnent.

REMARQUE IMPORTANTE : Un peu de fumée et une légère odeur pourraient se dégager du four au cours de cette mise en route. Pour de plus amples renseignements, reportez-vous au Guide d'utilisation et d'entretien.



Emplacement des trous de fixation



CONTACT

Site Internet :
wolfappliance.com

DEPISTAGE DES PANNES

REMARQUE IMPORTANTE : Si le four encastrable ne fonctionne pas correctement, suivez les étapes de dépiستage des pannes suivantes :

- Vérifiez si l'alimentation électrique est fournie au four.
- Vérifiez les branchements électriques afin de vous assurer que l'installation a été effectuée correctement.
- Suivez les procédures de dépiستage des pannes décrites dans le Guide d'utilisation et d'entretien des fours encastrables Wolf Série E.
- Si le four ne fonctionne toujours pas, contactez une antenne de service agréée Wolf. N'essayez pas de réparer le four vous-même. Wolf n'est pas responsable des dépannages requis en raison d'une mauvaise installation.

SERVICE APRES-VENTE

- Pour obtenir les coordonnées de votre service après-vente local, adressez-vous à votre revendeur Wolf ou consultez la section « Showroom Locator » de notre site Internet, wolfappliance.com, pour trouver les coordonnées des distributeurs régionaux par pays.
- Lorsque vous contactez le service après-vente, vous devez fournir les numéros de modèle et de série du four encastrable. Ces deux numéros figurent sur la plaque des caractéristiques du produit située sur le côté droit de la moulure du four, juste au-dessus de la porte. Vous devez ouvrir la porte du four pour voir la plaque des caractéristiques. Pour repérer l'emplacement de la plaque des caractéristiques, reportez-vous à la figure page 41.

SCHEMA DE CABLAGE

Le schéma de câblage illustrant le circuit de commande se trouve sur le dessus du four, dans un sachet en plastique scellé.



Les informations et les images contenues dans ce guide sont protégées par des droits d'auteur et sont la propriété de Wolf Appliance, Inc., une filiale de Sub-Zero, Inc. Ce guide et les informations et images qu'il contient ne peuvent être copiés ou utilisés, en partie ou en totalité, sans l'autorisation écrite expresse de Wolf Appliance, Inc., filiale de Sub-Zero Inc.

©Wolf Appliance, Inc. tous droits réservés.



WOLF[®]

INFORMAZIONI
PER I CONTATTI

Sito Web:
wolfappliance.com

Man mano che seguite queste istruzioni, noterete dei simboli di **AVVERTENZA** ed **ATTENZIONE**. Queste informazioni evidenziate sono importanti per l'installazione sicura ed efficiente dell'apparecchiatura Wolf. Durante l'installazione sarete esposti a due potenziali pericoli.

▲ ATTENZIONE

Segnala una situazione con possibili lesioni minori o danni al prodotto qualora non ci si attenga a queste istruzioni.

▲ AVVERTENZA

Indica un pericolo che potrebbe causare gravi lesioni o morte, qualora non ci si attenga alle precauzioni.

Un'altra nota in calce che vorremmo identificare è **NOTA IMPORTANTE**: evidenzia informazioni di particolare importanza per un'installazione senza problemi.



REQUISITI PER **L'INSTALLAZIONE**

NOTA IMPORTANTE: questa installazione deve essere completata da un tecnico qualificato.

NOTA IMPORTANTE: conservare queste istruzioni per l'installatore.

- Leggere tutte le istruzioni prima dell'installazione.
- **Installatore:** conservare queste istruzioni come riferimento, quindi lasciarle al proprietario dell'abitazione.
- **Proprietario dell'abitazione:** leggere e conservare queste istruzioni come riferimento futuro e verificare di aver letto le intere informazioni per l'utilizzo e la manutenzione prima dell'uso.

NOTA IMPORTANTE: questo elettrodomestico deve essere installato in conformità ai codici locali. All'elettrodomestico devono essere forniti i valori corretti di tensione, frequenza e amperaggio da un circuito dedicato collegato a terra, che è protetto da un interruttore di circuito di dimensioni appropriate o da un fusibile ritardato. I valori corretti di tensione, frequenza e amperaggio sono elencati sull'etichetta identificativa del prodotto.

Registrare il modello e i numeri di matricola prima di installare il forno built-in. Entrambi i numeri sono elencati sull'etichetta identificativa, situata sul lato destro della rifinitura del forno, direttamente sopra la porta. Aprire la porta del forno per vedere l'etichetta identificativa. Vedere l'illustrazione che segue.

PREPARAZIONE DEL **SITO**

NOTA IMPORTANTE: occorre uno spazio minimo di 610 mm di profondità pensile utilizzabile; in caso contrario potrebbe essere necessario rimuovere il pannello posteriore del pensile per l'installazione corretta. Per l'installazione con inserti a filo occorre un minimo di 635 mm di profondità pensile utilizzabile. La scatola di derivazione deve essere a filo con il pannello posteriore del pensile.

L'apertura di installazione deve avere una piattaforma di base piatta ed a livello a sostegno del forno. I forni singoli richiedono un supporto di base minimo di 113 kg, mentre quelli doppi richiedono un supporto di base minimo di 181 kg.

NOTA IMPORTANTE: i forni built-in Wolf sono concepiti ed approvati per l'installazione esclusivamente con piani cottura, forni a microonde e cassette scaldavivande Wolf. La larghezza nominale dei forni built-in deve corrispondere a quella del piano cottura. Non è possibile installare un forno built-in sotto un piano cottura professionale Wolf.

INFORMAZIONI SULL'ETICHETTA IDENTIFICATIVA

Numero del modello

Numero di matricola



Posizione dell'etichetta riportante i valori nominali

FORNI SINGOLI BUILT-IN SERIE E

MODELLI ICBSO30-2F/S E
ICBSO30-2U/S

NOTA IMPORTANTE: occorre uno spazio minimo di 610 mm di profondità pensile utilizzabile; in caso contrario potrebbe essere necessario rimuovere il pannello posteriore del pensile per l'installazione corretta. Per l'installazione con inserti a filo occorre un minimo di 635 mm di profondità pensile utilizzabile. La scatola di derivazione deve essere a filo con il pannello posteriore del pensile.

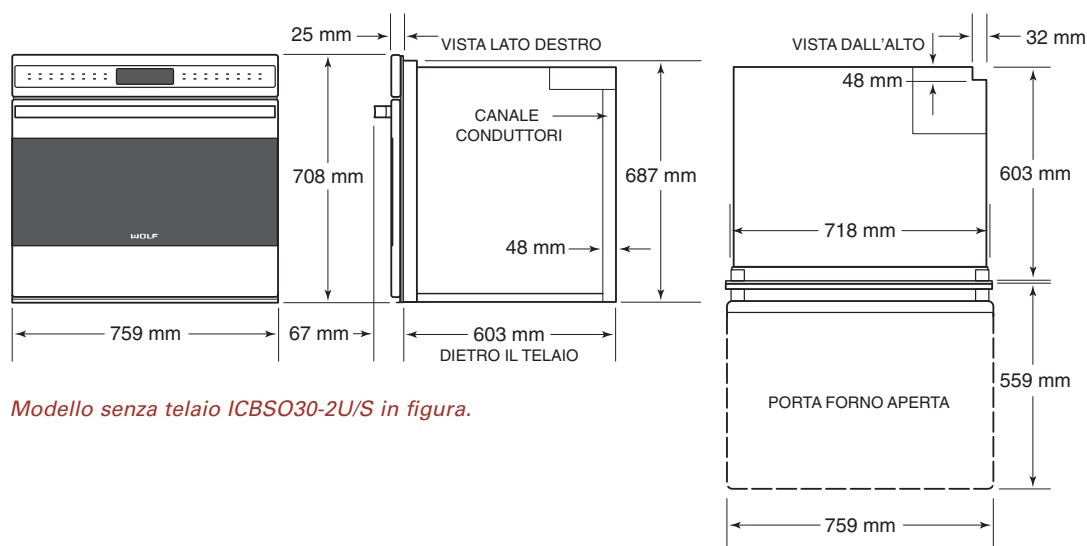
Per facilitare l'installazione Wolf consiglia di utilizzare pensili con larghezza di 838 mm con i forni singoli Serie E. Per l'installazione con inserti a filo occorre un pensile con larghezza minima di 838 mm. La piattaforma di base del pensile deve poter sostenere un peso di 113 kg.

Consultare le seguenti illustrazioni per le dimensioni generali, le specifiche per l'installazione e la posizione dell'impianto elettrico per i forni singoli della Serie E.

I forni singoli Serie E richiedono un allacciamento separato da 220-240 V c.a., 50/60 Hz, 30 ampere a 3 fili con messa a terra, con interruttore automatico dedicato. Consultare i requisiti elettrici a pagina 70. Il forno non è dotato di una presa elettrica.

NOTA IMPORTANTE: a meno che non si faccia uso di pensili più profondi di 610 mm per un'installazione standard o di 635 mm per un'installazione con inserti a filo, si consiglia di posizionare l'allacciamento elettrico in un pensile adiacente. Selezionare la posizione riportata nelle illustrazioni per l'installazione a pagina 62-63 più adeguata all'installazione corrente.

DIMENSIONI GENERALI - MODELLI ICBSO30-2F/S E ICBSO30-2U/S



Modello senza telaio ICBSO30-2U/S in figura.

**FORNI SINGOLI BUILT-IN SERIE E****INSTALLAZIONE STANDARD**

NOTA IMPORTANTE: per le installazioni standard occorre uno spazio minimo di 610 mm di profondità pensile utilizzabile; in caso contrario potrebbe essere necessario rimuovere il pannello posteriore del pensile per l'installazione corretta. La scatola di derivazione deve essere a filo con il pannello posteriore del pensile.

Per le installazioni standard, il forno built-in Serie E viene installato inserendolo nel pensile dal lato anteriore. I forni sono rifiniti su tutti i quattro lati e sovrappongono montanti verticali e guide. La rifinitura si sovrappone di 3 mm al fondo, 8 mm in alto e 19 mm su ciascun lato.

INSTALLAZIONE CON INSERTI A FILO

NOTA IMPORTANTE: per le installazioni con inserti a filo occorre uno spazio minimo di 635 mm di profondità pensile utilizzabile; in caso contrario potrebbe essere necessario rimuovere il pannello posteriore del pensile per l'installazione corretta. La scatola di derivazione deve essere a filo con il pannello posteriore del pensile.

L'installazione con inserti a filo richiede l'incasso del forno built-in nel pensile. Per accertarsi che la parte anteriore del forno sia a filo con i pensili circostanti occorre un pensile con larghezza minima di 838 mm e profondità di 635 mm.

NOTA IMPORTANTE: per le installazioni con inserti a filo, i bordi interni dell'incasso devono essere finiti, poiché saranno esposti quando si apre la porta del forno. Questi bordi vanno finiti con vernice anziché avere una superficie laminata, onde evitare danni causati dalle temperature molto alte causate dalla funzione di auto-pulitura.

INSTALLAZIONI A COMBINAZIONE

Il forno singolo Wolf Serie E da 762 mm può essere installato sotto un piano cottura Wolf ad induzione, elettrico o a gas da 762 mm. A meno che non si faccia uso di pensili più profondi di 610 mm per un'installazione standard o di 635 mm per un'installazione con inserti a filo, si consiglia di posizionare l'allacciamento elettrico in un pensile di base a destra del forno. Il forno singolo Serie E può essere installato sotto un piano cottura Wolf ad induzione, elettrico o a gas da 914 mm.

Un forno singolo Wolf Serie E può essere installato accanto ad un altro forno singolo Serie E. Calcolare 64 mm di spazio tra gli incassi. Occorre inoltre installare una parete interna di separazione tra un built-in e l'altro.



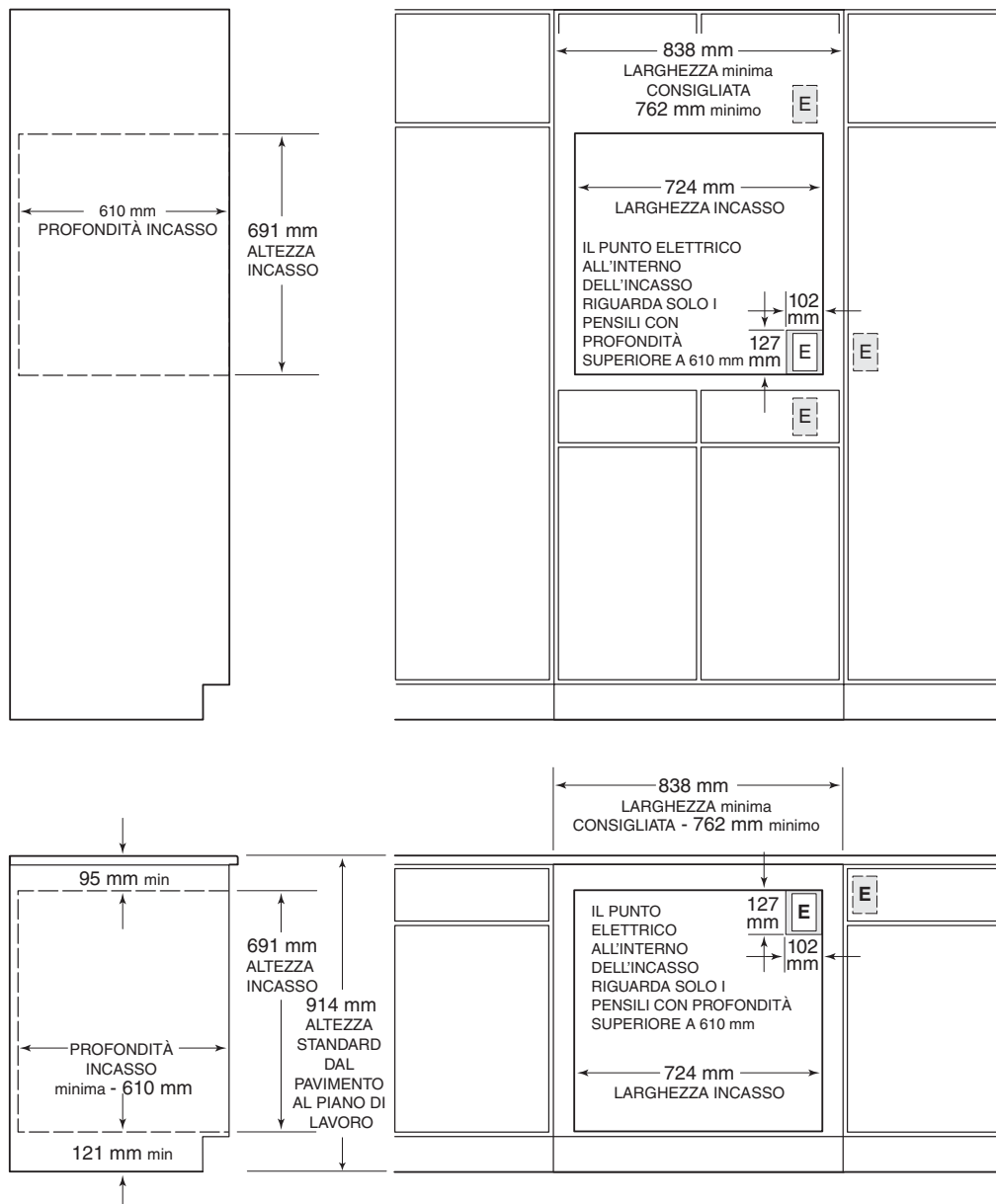
FORNI SINGOLI BUILT-IN SERIE E

INSTALLAZIONE STANDARD

Larghezza totale forno	759 mm
Altezza totale forno	708 mm
Profondità totale forno (dietro il telaio)	603 mm
Apertura porta	559 mm
Larghezza pensile consigliata	838 mm

Larghezza minima pensile	762 mm
Profondità (apertura) minima mobile	610 mm
Larghezza apertura	724 mm
Altezza apertura	691 mm
Supporto base minimo	113 kg

INSTALLAZIONE STANDARD - MODELLI ICBSO30-2F/S e ICBSO30-2U/S





FORNI SINGOLI BUILT-IN SERIE E

INSTALLAZIONE CON INSERTI A FILO

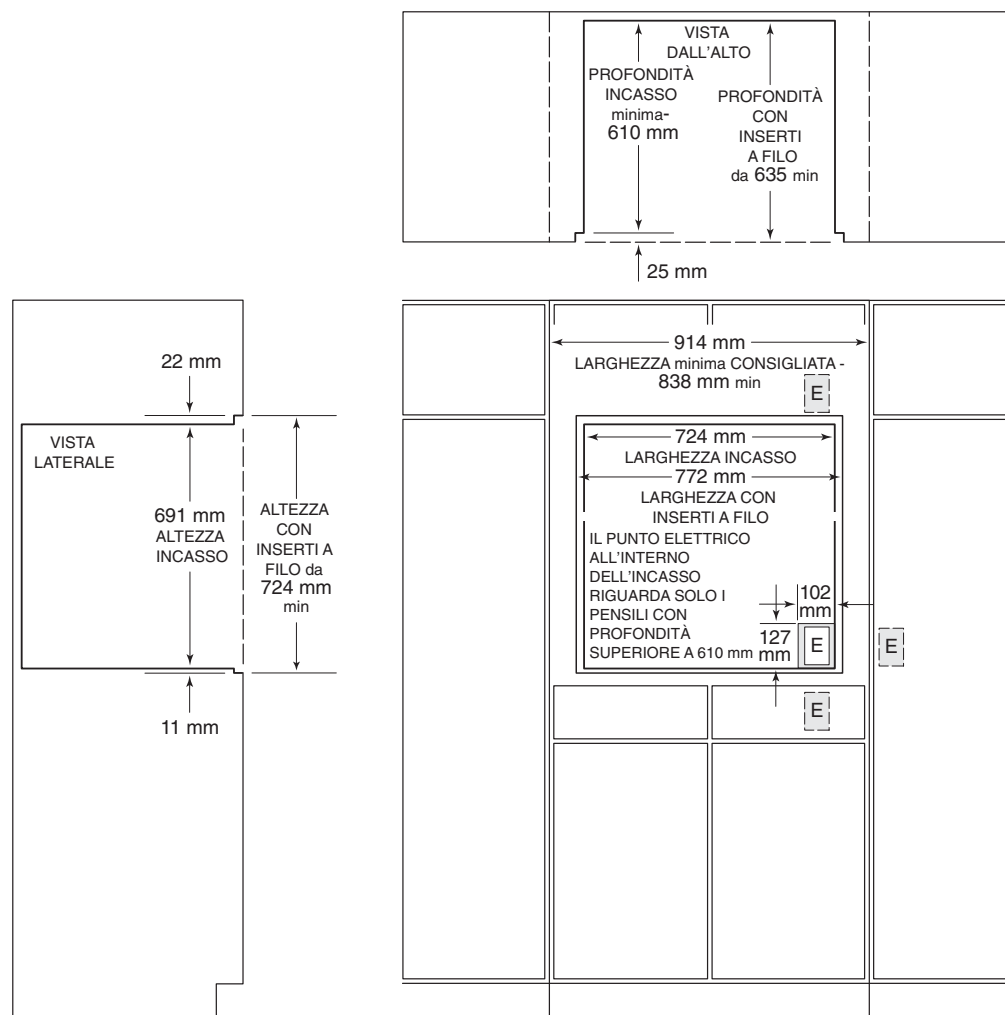
Larghezza totale forno	759 mm
Altezza totale forno	708 mm
Profondità totale forno (dietro il telaio)	603 mm
Apertura porta	559 mm
Supporto base minimo	113 kg

Larghezza minima pensile	838 mm
Profondità minima inserti a filo	635 mm
Larghezza apertura	724 mm
Larghezza minima inserti a filo	772 mm
Altezza apertura	691 mm
Altezza minima inserti a filo	724 mm

**NOTA
IMPORTANTE**

per le installazioni con inserti a filo, i bordi interni dell'incasso devono essere finiti, poiché saranno esposti quando si apre la porta del forno.

INSTALLAZIONE CON INSERTI A FILO - MODELLI ICBSO30-2F/S e ICBSO30-2U/S



FORNI DOPPI BUILT-IN SERIE E

MODELLI ICBSO30-2F/S E
ICBSO30-2U/S

NOTA IMPORTANTE: occorre uno spazio minimo di 610 mm di profondità pensile utilizzabile; in caso contrario potrebbe essere necessario rimuovere il pannello posteriore del pensile per l'installazione corretta. Per l'installazione con inserti a filo occorre un minimo di 635 mm di profondità pensile utilizzabile. La scatola di derivazione deve essere a filo con il pannello posteriore del pensile.

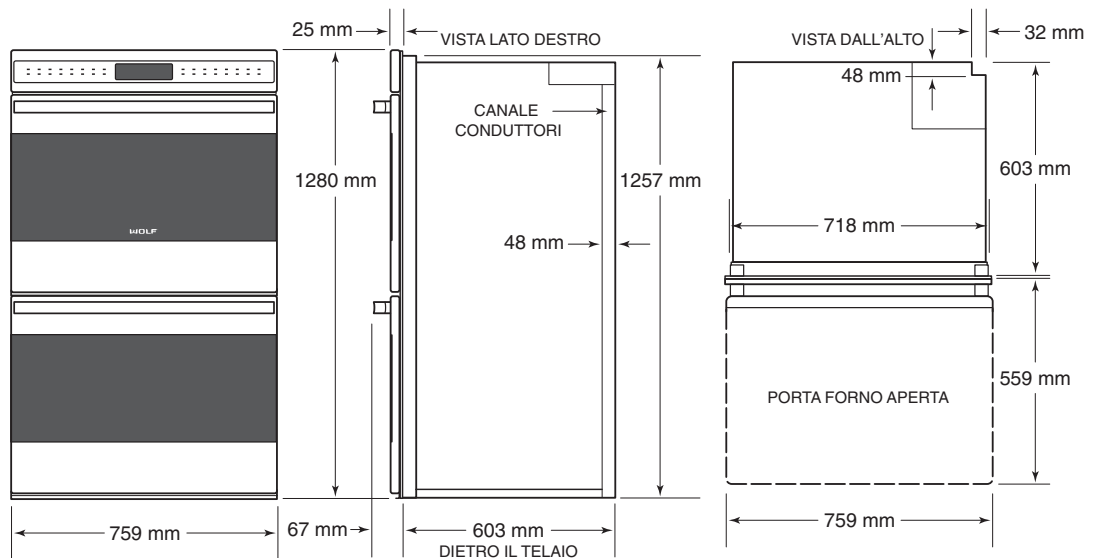
Per facilitare l'installazione Wolf consiglia di utilizzare pensili con larghezza di 838 mm con i forni doppi Serie E. Per l'installazione con inserti a filo occorre un pensile con larghezza minima di 838 mm. La piattaforma di base del pensile deve poter sostenere un peso di 181 kg.

Consultare le seguenti illustrazioni per le dimensioni generali, le specifiche per l'installazione e la posizione dell'impianto elettrico per i forni doppi della Serie E.

I forni doppi Serie E richiedono un allacciamento separato da 220-240 V c.a., 50/60 Hz, 50 ampere a 3 fili con messa a terra, con interruttore automatico dedicato. Consultare i requisiti elettrici a pagina 70. Il forno non è dotato di una presa elettrica.

NOTA IMPORTANTE: a meno che non si faccia uso di pensili più profondi di 610 mm per un'installazione standard o di 635 mm per un'installazione con inserti a filo, si consiglia di posizionare l'allacciamento elettrico in un pensile adiacente. Selezionare la posizione riportata nelle illustrazioni per l'installazione a pagina 66-67 più adeguata all'installazione corrente.

DIMENSIONI GENERALI - MODELLI ICBDO30-2F/S e ICBDO30-2U/S



Modello senza telaio ICBDO30-2U/S in figura.



FORNI DOPPI BUILT-IN SERIE E

INSTALLAZIONE STANDARD

NOTA IMPORTANTE: per le installazioni standard occorre uno spazio minimo di 610 mm di profondità pensile utilizzabile; in caso contrario potrebbe essere necessario rimuovere il pannello posteriore del pensile per l'installazione corretta. La scatola di derivazione deve essere a filo con il pannello posteriore del pensile.

Per le installazioni standard, il forno built-in Serie E viene installato inserendolo nel pensile dal lato anteriore. I forni sono rifiniti su tutti i quattro lati e sovrappongono montanti verticali e guide. La rifinitura si sovrappone di 3 mm al fondo, 8 mm in alto e 19 mm su ciascun lato.

INSTALLAZIONE CON INSERTI A FILO

NOTA IMPORTANTE: per le installazioni con inserti a filo occorre uno spazio minimo di 635 mm di profondità pensile utilizzabile; in caso contrario potrebbe essere necessario rimuovere il pannello posteriore del pensile per l'installazione corretta. La scatola di derivazione deve essere a filo con il pannello posteriore del pensile.

L'installazione con inserti a filo richiede l'incasso del forno built-in nel pensile. Per accertarsi che la parte anteriore del forno sia a filo con i pensili circostanti occorre un pensile con larghezza minima di 838 mm e profondità di 635 mm.

NOTA IMPORTANTE: per le installazioni con inserti a filo, i bordi interni dell'incasso devono essere finiti, poiché saranno esposti quando si apre la porta del forno. Questi bordi vanno finiti con vernice anziché avere una superficie laminata, onde evitare danni causati dalle temperature molto alte causate dalla funzione di auto-pulitura.



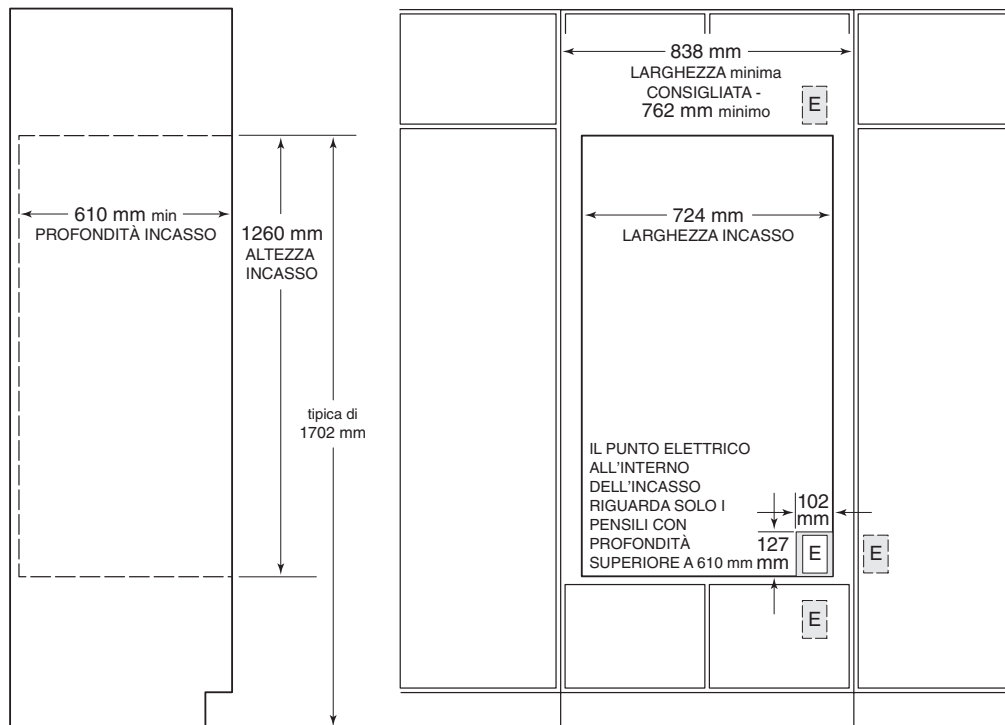
FORNI DOPPI BUILT-IN SERIE E

INSTALLAZIONE STANDARD

Larghezza totale forno	759 mm
Altezza totale forno	1.292 mm
Profondità totale forno (dietro il telaio)	603 mm
Apertura porta	559 mm
Larghezza pensile consigliata	838 mm

Larghezza minima pensile	762 mm
Profondità (apertura) minima mobile	610 mm
Larghezza apertura	724 mm
Altezza apertura	1.260 mm
Supporto base minimo	181 kg

INSTALLAZIONE STANDARD - MODELLI ICBSO30-2F/S e ICBSO30-2U/S





FORNI DOPPI BUILT-IN SERIE E

INSTALLAZIONE CON INSERTI A FILO

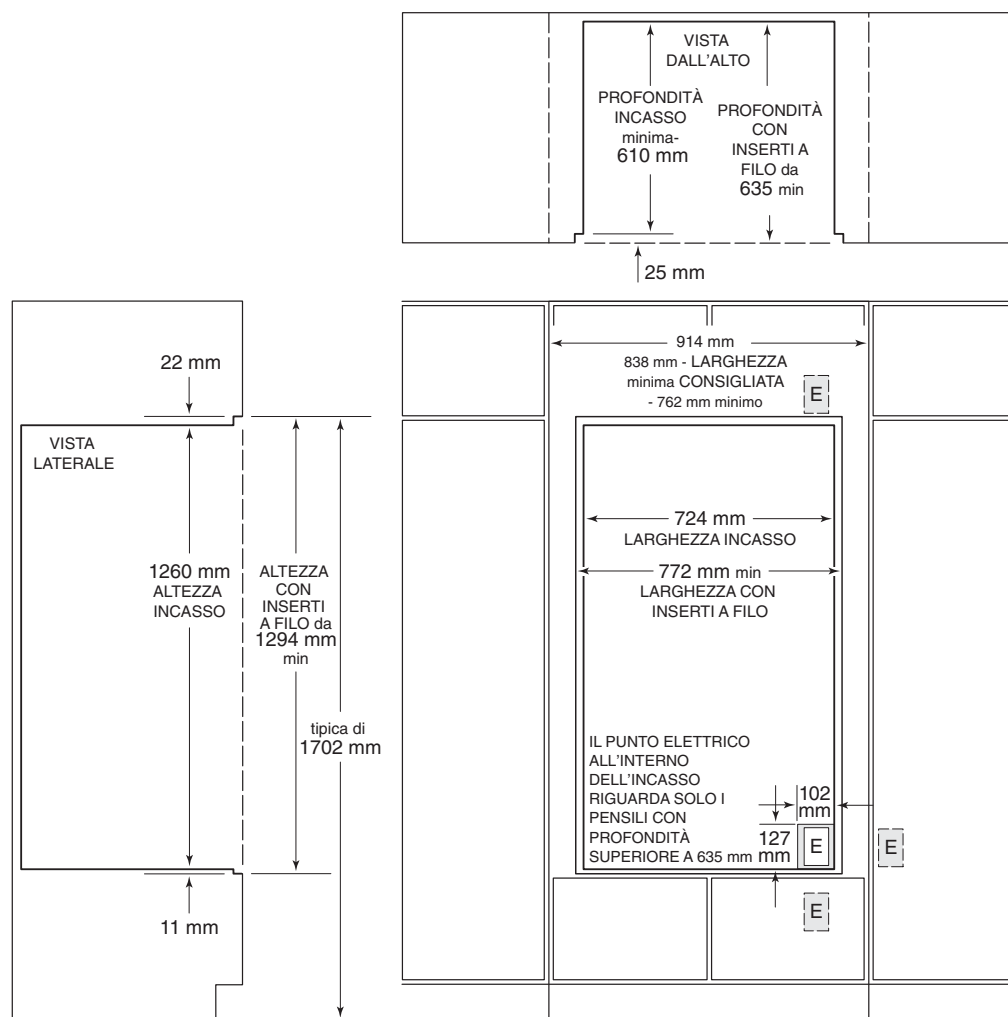
Larghezza totale forno	759 mm
Altezza totale forno	1.292 mm
Profondità totale forno (dietro il telaio)	603 mm
Apertura porta	559 mm
Supporto base minimo	181 kg

Larghezza minima pensile	838 mm
Profondità minima inserti a filo	635 mm
Larghezza apertura	724 mm
Larghezza minima inserti a filo	772 mm
Altezza apertura	1.260 mm
Altezza minima inserti a filo	1.294 mm

**NOTA
IMPORTANTE**

per le installazioni con inserti a filo, i bordi interni dell'incasso devono essere finiti, poiché saranno esposti quando si apre la porta del forno.

INSTALLAZIONE CON INSERTI A FILO - MODELLI ICBSO30-2F/S e ICBSO30-2U/S





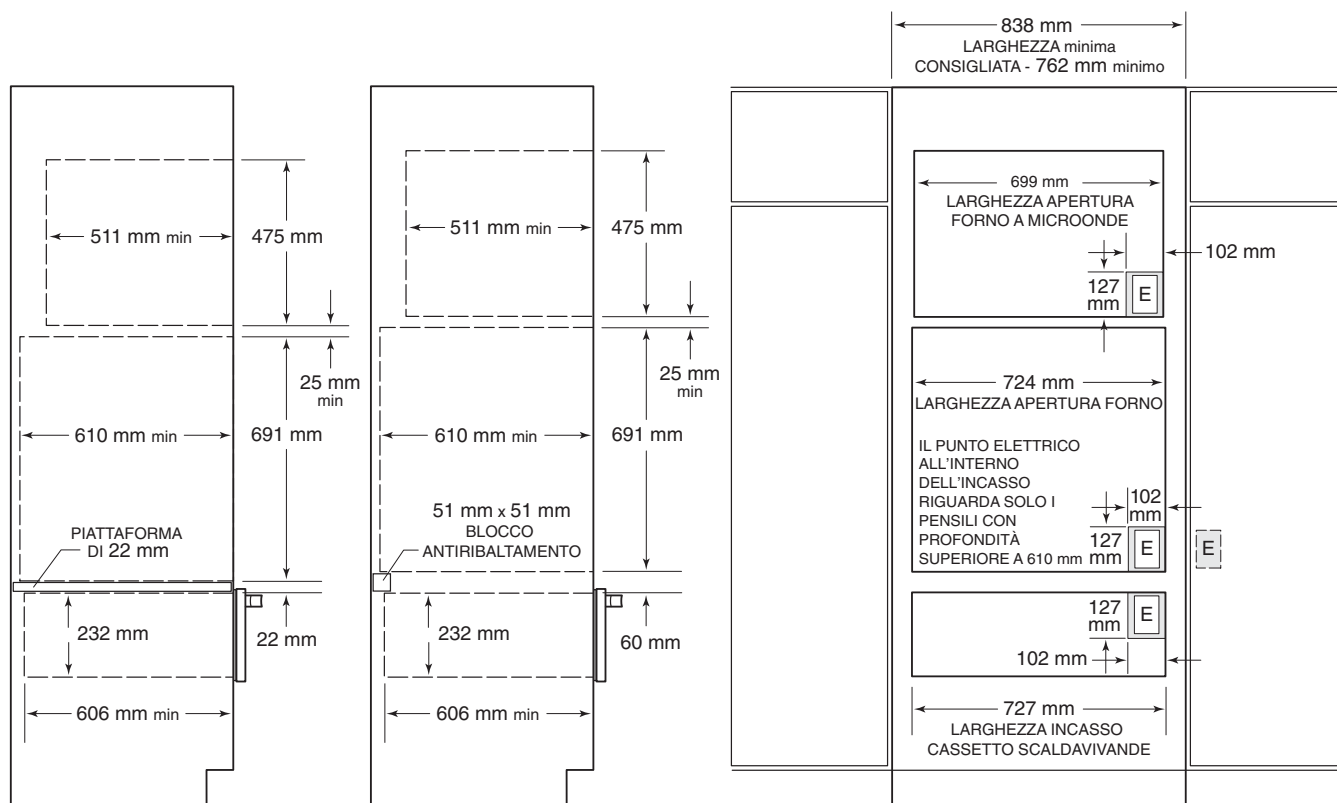
OPZIONI INSTALLAZIONE
STANDARD

FORNI SINGOLI BUILT-IN SERIE E

I forni singoli Wolf Serie E possono essere installati in combinazione con un forno a microonde Wolf a convezione o a non convezione con kit di rifinitura Serie E da 762 mm ed un cassetto scaldavivande Wolf con mascherina in acciaio inossidabile Serie E o pannello anteriore per cassetto integrato. Consultare l'illustrazione qui sotto, pagine 60–63 per le specifiche per l'installazione dei forni singoli Serie E.

Tenere a mente che le dimensioni del pannello su misura per il cassetto scaldavivande con mascherina anteriore integrata variano secondo l'installazione specifica. Consultare le istruzioni per l'installazione in dotazione al kit di rifinitura del forno a microonde ed al pannello anteriore per cassetto scaldavivande per specifiche dettagliate in merito. Le dimensioni variano secondo l'installazione specifica.

INSTALLAZIONE STANDARD - MODELLI ICBSO30-2F/S e ICBSO30-2U/S



INSTALLAZIONE CON PIATTAFORMA

APPLICAZIONE ANTIRIBALTAMENTO

NOTA: a meno che non si faccia uso di pensili con profondità superiore a 610 mm, si consiglia di effettuare l'allacciamento elettrico in un pensile adiacente.

Forno singolo installato con forno a microonde a convezione con rifinitura Serie E da 762 mm e cassetto scaldavivande con pannello anteriore in acciaio inossidabile Serie E.



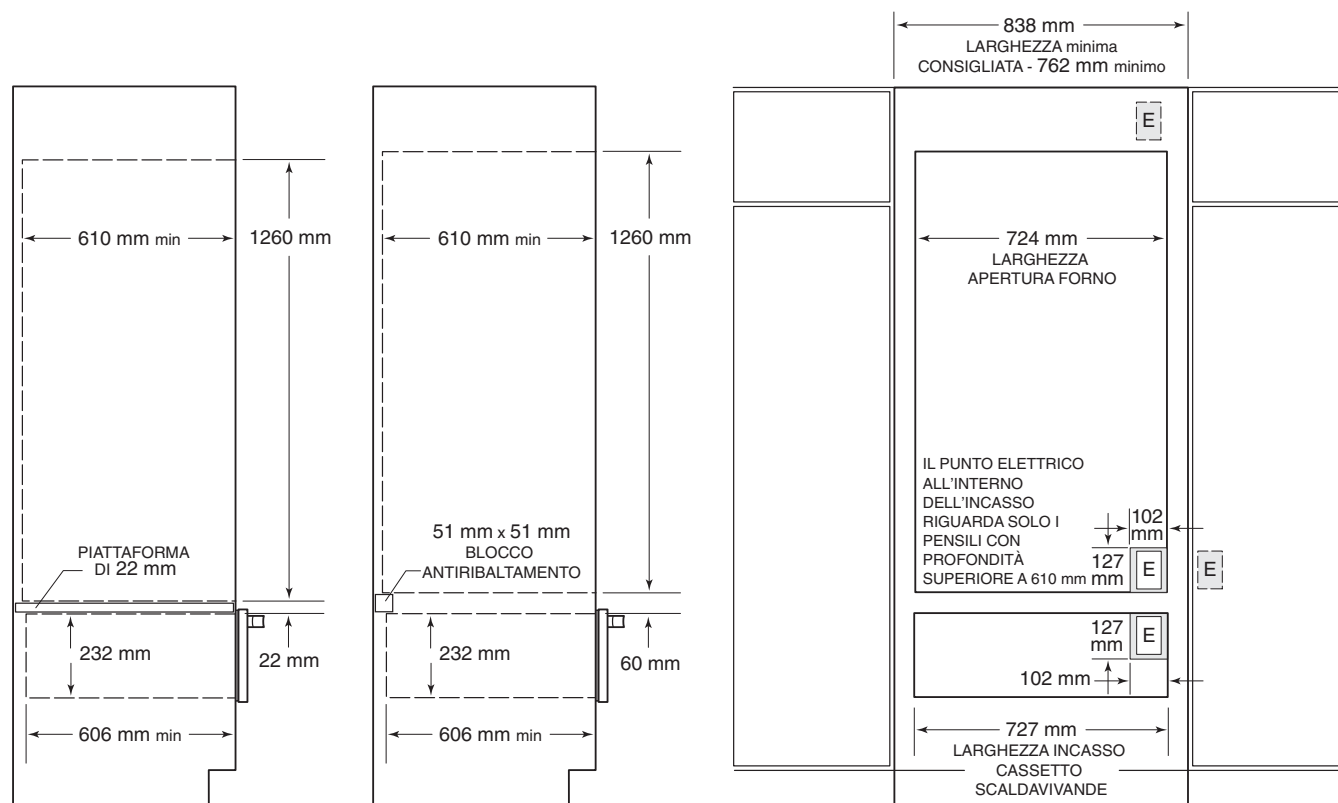
OPZIONI INSTALLAZIONE STANDARD

FORNI DOPPI BUILT-IN SERIE E

I forni doppi Wolf Serie E possono essere installati in combinazione con un cassetto scaldavivande Wolf con pannello anteriore per cassetto in acciaio inossidabile Serie E o pannello anteriore per cassetto integrato. Consultare l'illustrazione qui sotto, pagine 64-67 per le specifiche per l'installazione dei forni doppi Serie E.

Tenere a mente che le dimensioni del pannello su misura per il cassetto scaldavivande con mascherina anteriore integrata variano secondo l'installazione specifica. Per ulteriori dettagli, consultare le istruzioni per l'installazione in dotazione alla mascherina anteriore per il cassetto scaldavivande. Le dimensioni variano secondo l'installazione specifica.

INSTALLAZIONE STANDARD - MODELLI ICBDO30-2F/S e ICBDO30-2U/S



INSTALLAZIONE CON PIATTAFORMA

APPLICAZIONE ANTIRIBALTAMENTO

NOTA: a meno che non si faccia uso di pensili con profondità superiore a 610 mm, si consiglia di effettuare l'allacciamento elettrico in un pensile adiacente.

Forno doppio installato sopra il cassetto scaldavivande con mascherina per cassetto in acciaio inossidabile Serie E.

REQUISITI **ELETTRICI**

▲ AVVERTENZA

Prima di procedere, controllare che l'alimentazione sia scollegata dalla scatola di derivazione.

▲ AVVERTENZA

Tutto l'elettrodomestico deve essere sempre correttamente collegato a terra quando è applicata la corrente elettrica.

NOTA: una connessione inadeguata può comportare pericolo di incendio!

NOTA
IMPORTANTE

durante l'installazione, prestare inoltre attenzione a codici ed ordinanze locali.

FORNI SINGOLI SERIE E

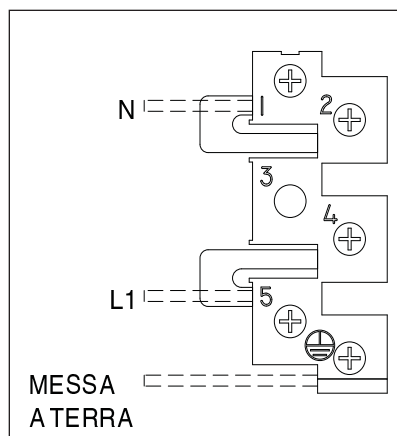
- **Alimentazione richiesta:**
220-240 V c.a., 50/60 Hz
- **Carico massimo connesso:**
5,1 kW
- **Totale amperaggio:** 21 ampere
- **Misura minima fili elettrici:** L1, N e neutro-10 AWG

FORNI DOPPI SERIE E

- **Alimentazione richiesta:**
220-240 V c.a., 50/60 Hz
- **Carico massimo connesso:**
8,9 kW

Consultare lo schema elettrico riportante le connessioni per ciascun filo sulla muffola terminale sull'unità.

Aprire la muffola terminale per esporre le viti con i numeri corrispondenti. Allentare le viti 1, 5 e di massa. Far passare in filo attraverso il foro di scarico tensione e nella muffola terminale. Collegare il filo neutro alla posizione numero 1. Collegare il filo di linea alla posizione 5 e collegare il filo di messa a terra alla vite di messa a terra corrispondente. Dopo aver serrato le viti, serrare il scarico tensione del filo e chiudere il coperchio della muffola terminale senza schiacciare alcuno dei fili.



Schema elettrico



REQUISITI ELETTRICI

Con il forno posizionato direttamente dinanzi all'apertura del pensile, far passare il filo di portata nominale corretta attaccato alla muffola terminale del forno attraverso l'apertura nella piattaforma del pensile (se di pertinenza). Quindi, secondo i codici vigenti a livello locale, adottare una delle seguenti tecniche per collegare l'elettrodomestico all'alimentazione elettrica.

INSTALLAZIONE DEL FORNO

DISIMBALLAGGIO DEL FORNO

⚠ ATTENZIONE

Il forno non è montato alla base di spedizione. Togliere le fasce di protezione solo al momento di installare il forno.

Tagliare le fascette di plastica e togliere le due tavole a V. Togliere i quattro angoli superiori in schiuma ed i montanti angolari. Togliere il manicotto di cartone sollevandolo ed estraendolo dall'elettrodomestico.

Togliere tutte le griglie del forno, le guide delle griglie del forno e la vaschetta della graticola dall'interno del forno. Per i forni doppi, accertarsi di procedere con entrambi i forni, superiore e inferiore.

Togliere i quattro angoli inferiori. Prestare attenzione, il forno è montato sulla base di spedizione. Durante lo spostamento del forno, tenere la schiuma al fondo in posizione. La schiuma al fondo protegge anche la rifinitura installata in fabbrica.

⚠ ATTENZIONE

Togliere la schiuma al fondo solo dopo aver posizionato il forno accanto all'apertura di installazione.

NOTA IMPORTANTE: prima di spostare il forno, proteggere tutto il pavimento finito con materiale adeguato, onde evitare di causare danni.

Togliere e gettare tutto il materiale di imballaggio, incluso cartone e nastro esterni ed interni al forno.

⚠ ATTENZIONE

Non sollevare l'unità tenendola dall'impugnatura della porta del forno. Così facendo si rischia di danneggiare il forno ed i cardini.



INSTALLAZIONE DEL FORNO

RIMOZIONE DELLA PORTA DEL FORNO

Per ridurre il peso del forno e facilitare l'installazione, la rimozione della porta del forno è opzionale.

Per togliere la porta del forno:

- Aprire completamente la porta.
- Ribaltare i cardini laterali.
- Chiudere la porta del forno fino a sentirne lo scatto.
- Tenendo ferma la porta del forno su entrambi i lati, sollevarla. Continuare a spingere la porta del forno per chiuderla, estrandola dal telaio del forno.

Per rimontare la porta del forno:

- Inserire entrambi gli agganci nelle aperture del telaio del forno.
- Aprire la porta del forno. Quando la porta è in posizione si dovrebbe sentire un clic.
- Riportare le leve dei cardini sulla posizione bloccata. Accertarsi che la porta si apra e si chiuda liberamente. In caso contrario, ripetere le procedure di rimozione e rimontaggio.

⚠ ATTENZIONE

Il forno è molto pesante— prestare attenzione durante il suo sollevamento. Si consiglia di avere a disposizione due persone per sollevare e posizionare il forno nell'apertura. Indossare guanti per proteggere le mani da tutti gli angoli appuntiti.

Tenendo il forno dal bordo superiore e dal basso del telaio, sollevarlo con cura sull'apertura del pensile.

Poggiando il forno sulla piattaforma di base del pensile, far scorrere il forno nell'apertura fino a raggiungere 152 mm circa dall'inserimento completo. Se di pertinenza, accertarsi che il cavo fornito dall'installatore scorra attraverso l'apertura nella piattaforma del pensile mentre il forno scorre in posizione.

NOTA IMPORTANTE: il cavo fornito dall'installatore deve essere in posizione nell'area incassata situata sul bordo verticale posteriore destro del forno. Accertarsi che il cavo non resti bloccato tra il forno e la parete interna del pensile.

⚠ ATTENZIONE

Non bloccare lo sfiato dell'aria del forno situato al fondo del forno. Così facendo si potrebbero causare danni al pensile, compromettendo le prestazioni del forno durante la preparazione dei dolci.

**INSTALLAZIONE** DEL FORNO**MONTAGGIO DEL FORNO
SUI PENSILI**

Dopo aver inserito completamente il forno nell'apertura del pensile, individuare i fori di montaggio sulla rifinitura laterale del forno. Ci sono quattro fori di montaggio per un forno singolo, sei per un forno doppio. Vedere l'illustrazione che segue. Usare una punta da trapano da 2 mm per praticare dei fori pilota nel pensile. Usare le viti per legno in dotazione per fissare il forno sul pensile attraverso i fori di montaggio del forno.

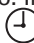

▲ AVVERTENZA

La mancata installazione delle viti di montaggio potrebbe causare lo spostamento o il ribaltamento del forno durante l'uso. Questo potrebbe causare danni al forno o lesioni a persone.

FUNZIONAMENTO DEL FORNO

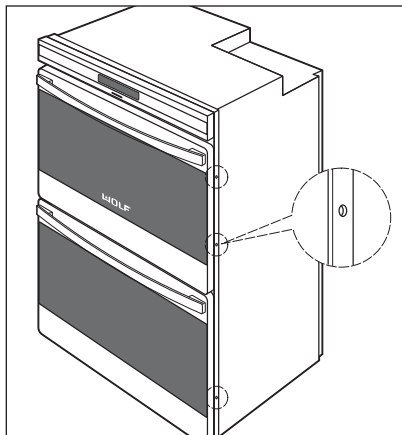
NOTA IMPORTANTE: prima di mettere in funzione il forno, accertarsi di leggere nella loro interezza le informazioni sull'uso e la manutenzione dei forni built-in Wolf della Serie E, in dotazione al forno, per informazioni importanti sulla sicurezza.

Disimballare la scatola contenente i componenti del forno situata nella cavità dei singoli forni. Installare le guide delle griglie del forno sulle viti a spallamento situate sulle pareti laterali interne del forno. Far scorrere le griglie del forno sulle guide di supporto all'interno del forno. Vi sono tre griglie per forno. Posizionare la vaschetta della graticola e la piastra su una griglia all'interno del forno.

Alimentare il forno. Impostare l'ora del giorno premendo il tasto  **SET CLOCK**, inserire l'ora desiderata utilizzando i tasti numerici e toccare quindi  **ENTER**.

Selezionare una delle dieci modalità di cottura sul pannello di controllo. Controllare che il forno raggiunta la temperatura. Per il doppio forno, accertarsi di controllare il funzionamento di entrambi i forni.

NOTA IMPORTANTE: durante il periodo di "rodaggio" iniziale si potrebbe notare un più di fumo e odore. Per ulteriori dettagli in merito, consultare le informazioni sull'uso e la manutenzione.



Posizione dei fori di montaggio



INFOR- MAZIONI PER I CONTATTI

Sito Web:
wolfappliance.com

SOLUZIONE DEI **PROBLEMI**

NOTA IMPORTANTE: se il forno built-in non funziona correttamente, attenersi alle seguenti fasi per la risoluzione dei problemi:

- Verificare che il forno sia alimentato.
- Controllare le connessioni elettriche per accertarsi che l'installazione sia stata completata correttamente.
- Attenersi alle procedure per l'individuazione dei problemi, come descritto nelle informazioni sull'uso e la manutenzione dei forni built-in Wolf Serie E.
- Se il forno continua a non funzionare, rivolgersi ad un centro di assistenza autorizzato Wolf. Non tentare di riparare da soli il forno. Wolf non è responsabile dell'assistenza richiesta per correggere un'installazione difettosa.

SCHEMA **ELETTRICO**

Lo schema elettrico con il circuito di controllo si trova sulla sommità del forno in una busta di plastica sigillata.

SE È NECESSARIA **ASSISTENZA**

- Per l'assistenza in zona, rivolgersi al proprio rivenditore Wolf o visitare la pagina di ricerca dei saloni esposizione del nostro sito Web, wolfappliance.com, per trovare i distributori di zona in base al Paese.
- Al momento di richiedere assistenza, occorre disporre del modello di forno built-in e dei numeri di serie. Entrambi i numeri sono elencati sull'etichetta identificativa del prodotto, situata sul lato destro della rifinitura del forno, direttamente sopra la porta. Aprire la porta del forno per vedere l'etichetta identificativa. Consultare l'illustrazione a pagina 59 per la posizione del punto dell'etichetta di identificazione.



Le informazioni e le immagini contenute in questa guida sono protette da copyright della Wolf Appliance, Inc., una consociata della Sub-Zero, Inc. Questo documento e le informazioni o immagini qui contenute non potranno essere copiate o usati, in parte o nella loro interezza, senza l'esplicito consenso scritto della Wolf Appliance, Inc., una consociata della Sub-Zero, Inc.

© Wolf Appliance, Inc. Tutti i diritti riservati.



WOLF[®]

KONTAKT- INFORMATIONEN

Website:
wolfappliance.com



In diesen Anweisungen sind Symbole für **WARNUNG** und **VORSICHT** enthalten. Diese Informationsblöcke sind wichtig für die sichere und effiziente Installation von Wolf-Geräten. Es gibt zwei Arten möglicher Gefahren, die während der Installation auftreten können.

▲ VORSICHT

weist auf eine Situation hin, in der geringfügige Verletzungen oder Produktschäden auftreten, wenn Sie die Anweisungen nicht befolgen.

▲ ACHTUNG

benennt eine Gefahr, die zu einer ernsthaften Verletzung oder zum Tod führen kann, wenn die Vorsichtsmaßnahmen nicht eingehalten werden.

Eine weitere Fußnote, auf die wir aufmerksam machen möchten, ist ein **WICHTIGER HINWEIS**: Er hebt Informationen hervor, die für eine problemlose Installation besonders relevant sind.



INSTALLATIONS- VORAUSSETZUNGEN

WICHTIGER HINWEIS: Diese Installation muss von einem qualifizierten Techniker vorgenommen werden.

WICHTIGER HINWEIS: Bewahren Sie diese Installationsanweisungen für den Gebrauch seitens des örtlichen Prüfers auf.

- Lesen Sie bitte die gesamten Installationsanweisungen vor der Installation.
- **Installierer:** Bewahren Sie diese Anweisungen bitte auf, damit der örtliche Prüfer Einsicht nehmen kann, und hinterlassen Sie sie dann dem Hauseigentümer.
- **Hauseigentümer:** Bitte lesen Sie diese Anweisungen und bewahren Sie sie für zukünftige Nachschlagezwecke auf. Vor der Verwendung sollten Sie unbedingt die gesamte Bedienungs- und Pflegeanleitung lesen.

WICHTIGER HINWEIS: Dieses Gerät muss gemäß örtlichen Vorschriften installiert werden. Die richtige Spannung, Frequenz und Amperezahl muss dem Gerät über einen dedizierten, geerdeten Stromkreis bereitgestellt werden, der von einem korrekt ausgelegten Schutzschalter oder einer Sicherung mit Zeitverzögerung geschützt wird. Die richtige Spannung, Frequenz und Amperezahl sind auf dem Produktypenschild aufgeführt.

Notieren Sie Modell- und Seriennummern, bevor Sie den Einbaubackofen installieren. Beide Nummern befinden sich auf dem Typenschild, das auf der rechten Seite der Backofenumrandung direkt über der Tür angebracht ist. Öffnen Sie die Backofentür, um das Typenschild abzulesen. Siehe die Abbildung unten.

VORBEREITUNG DES INSTALLATIONSORTES

WICHTIGER HINWEIS: Es werden mindestens 610 mm nutzbare Schranktiefe benötigt; anderenfalls muss die Rückplatte des Schrankes eventuell ausgebaut werden, um eine ordnungsgemäße Installation zu ermöglichen. Für eine bündige/voll integrierte Installation sind mindestens 635 mm nutzbare Schranktiefe erforderlich. Der Schaltkasten muss bündig mit der Rückplatte des Schrankes abschließen.

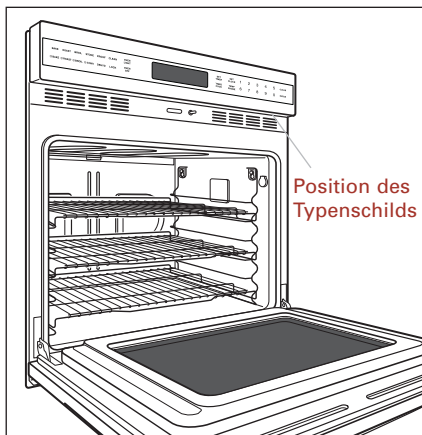
Die Installationsöffnung muss über eine flache, ebene Sockelplattform verfügen, die den Backofen tragen kann. Einzelbacköfen benötigen eine Sockeltragfähigkeit von mindestens 113 kg, und Doppelbacköfen benötigen eine Sockeltragfähigkeit von mindestens 181 kg.

WICHTIGER HINWEIS: Einbaubacköfen von Wolf sind nur zur Installation mit Kochfeldern, Mikrowellenherden und Wärmeschubladen von Wolf konstruiert und verfügen über die entsprechenden behördlichen Zulassungen. Die Nennbreite des Einbaubackofens sollte mit der Nennbreite des Kochfeldes übereinstimmen. Ein Einbaubackofen kann nicht unter einem Herd von Wolf installiert werden.

INFORMATIONEN AUF DEM TYPENSCHILD

Modellnummer

Seriennummer



Typenschildposition



**EINBAUEINZELBACKÖFEN
DER E-SERIE**

**MODELLE ICBSO30-2F/S UND
ICBSO30-2U/S**

WICHTIGER HINWEIS: Es werden mindestens 610 mm nutzbare Schranktiefe benötigt; anderenfalls muss die Rückplatte des Schanks eventuell ausgebaut werden, um eine ordnungsgemäße Installation zu ermöglichen. Für eine bündige/voll integrierte Installation sind mindestens 635 mm nutzbare Schranktiefe erforderlich. Der Schaltkasten muss bündig mit der Rückplatte des Schanks abschließen.

Zur leichteren Installation empfiehlt Wolf die Verwendung von 838 mm breiten Schränken mit dem Einzelbackofen der E-Serie. Für eine bündige/voll integrierte Installation ist ein mindestens 838 mm breiter Schrank erforderlich. Die Sockelplattform des Schanks muss 113 kg tragen können.

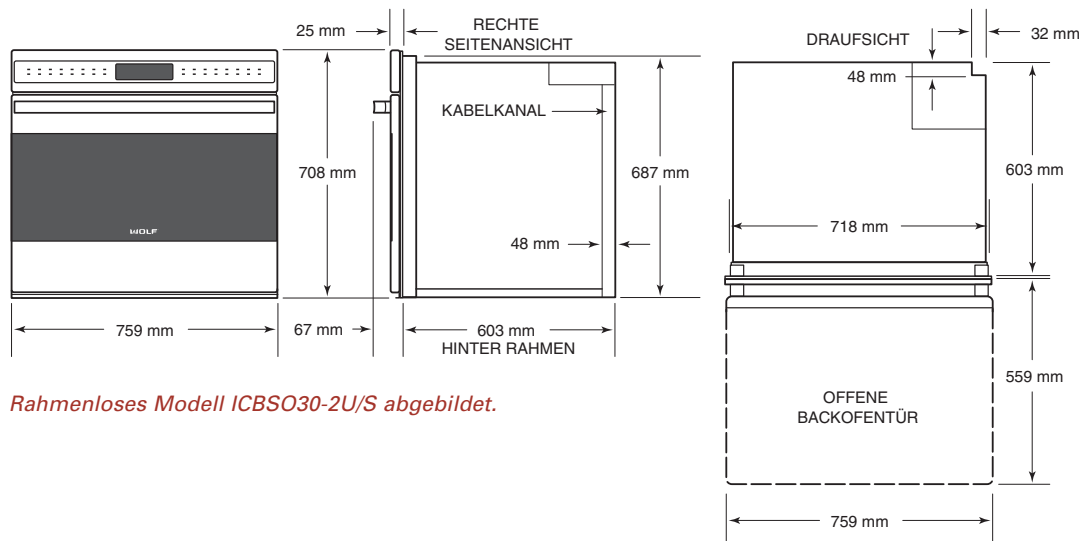
Die Gesamtabmessungen, Installationspezifikationen und die Position der Stromversorgung für den Einzelbackofen der E-Serie entnehmen Sie bitte den folgenden Zeichnungen.

Für den Einzelbackofen der E-Serie wird eine separate, geerdete 3-adrige Versorgung von 220-240 V AC, 50/60 Hz, 30 Amp mit eigenem Schutzschalter benötigt. Siehe die Elektro Voraussetzungen auf Seite 88.

Im Lieferumfang des Backofens ist kein Elektrostecker enthalten.

WICHTIGER HINWEIS: Sofern Sie keine Schränke mit einer größeren Tiefe von 610 mm für eine Standardinstallation bzw. 635 mm für eine bündige/voll integrierte Installation verwenden, wird empfohlen, die Stromversorgung in einem angrenzenden Schrank unterzubringen. Wählen Sie den in den Installationszeichnungen auf Seite 80–81 dargestellten Ort, der für Ihre Installation am besten geeignet ist.

GESAMTABMESSUNGEN – MODELLE ICBSO30-2F/S UND ICBSO30-2U/S



Rahmenloses Modell ICBSO30-2U/S abgebildet.



EINBAUEINZELBACKÖFEN DER E-SERIE

STANDARDINSTALLATION

WICHTIGER HINWEIS: Für Standardinstallationen werden mindestens 610 mm nutzbare Schranktiefe benötigt; anderenfalls muss die Rückplatte des Schanks eventuell ausgebaut werden, um eine ordnungsgemäße Installation zu ermöglichen. Der Schaltkasten muss bündig mit der Rückplatte des Schanks abschließen.

Bei Standardinstallationen wird der Einbaubackofen der E - Serie installiert, indem er von vorne in den Schrank eingeführt wird. Der Backofen weist auf allen vier Seiten eine Frontumrandung auf und überlappt Querhölzer und Höhenfrieze. Die Umrandung überlappt 3 mm an der Unterseite, 8 mm an der Oberseite und jeweils 19 mm auf beiden Seiten.

BÜNDIGE/VOLL INTEGRIERTE INSTALLATION

WICHTIGER HINWEIS: Für bündige/voll integrierte Installationen werden mindestens 635 mm nutzbare Schranktiefe benötigt; anderenfalls muss die Rückplatte des Schanks eventuell ausgebaut werden, um eine ordnungsgemäße Installation zu ermöglichen. Der Schaltkasten muss bündig mit der Rückplatte des Schanks abschließen.

Bei der bündigen/voll integrierten Installation muss der Einbaubackofen versenkt in den Schrank eingelassen werden. Es ist ein Schrank mit einer Mindestbreite von 838 mm und einer Mindestdiefe von 635 mm erforderlich, wenn die Vorderseite des Backofens bündig mit den benachbarten Schränken abschließen soll.

WICHTIGER HINWEIS: Bei bündigen/voll integrierten Installationen müssen die Innenkanten der Rohbauöffnung bearbeitet sein, da sie frei liegen, wenn die Backofentür geöffnet ist. Diese Kanten sollten gebeizt sein und keine laminierte Oberfläche aufweisen, damit während der Selbstreinigung aufgrund der hohen Temperaturen keine Schäden auftreten.

INSTALLATIONSKOMBINATIONEN

Der Einzelbackofen der E-Serie von Wolf kann unter einem 762-mm-Induktions-, Elektro- oder Gaskochfeld von Wolf installiert werden. Sofern Sie keine Schränke mit einer größeren Tiefe von 610 mm für eine Standardinstallation bzw. 635 mm für eine bündige/voll integrierte Installation verwenden, wird empfohlen, die Stromversorgung im Sockelschrank rechts vom Backofen unterzubringen. Der Einzelbackofen der E-Serie von Wolf kann auch unter einem 914-mm-Induktions-, Elektro- oder Gaskochfeld von Wolf installiert werden.

Ein Einzelbackofen der E-Serie von Wolf kann neben einem anderen Einzelbackofen der E-Serie von Wolf installiert werden. Zwischen den Rohbauöffnungen muss ein Zwischenraum von 64 mm einkalkuliert werden. Außerdem ist für jeden Backofen zwischen den Öffnungen eine separate Innenwand erforderlich.



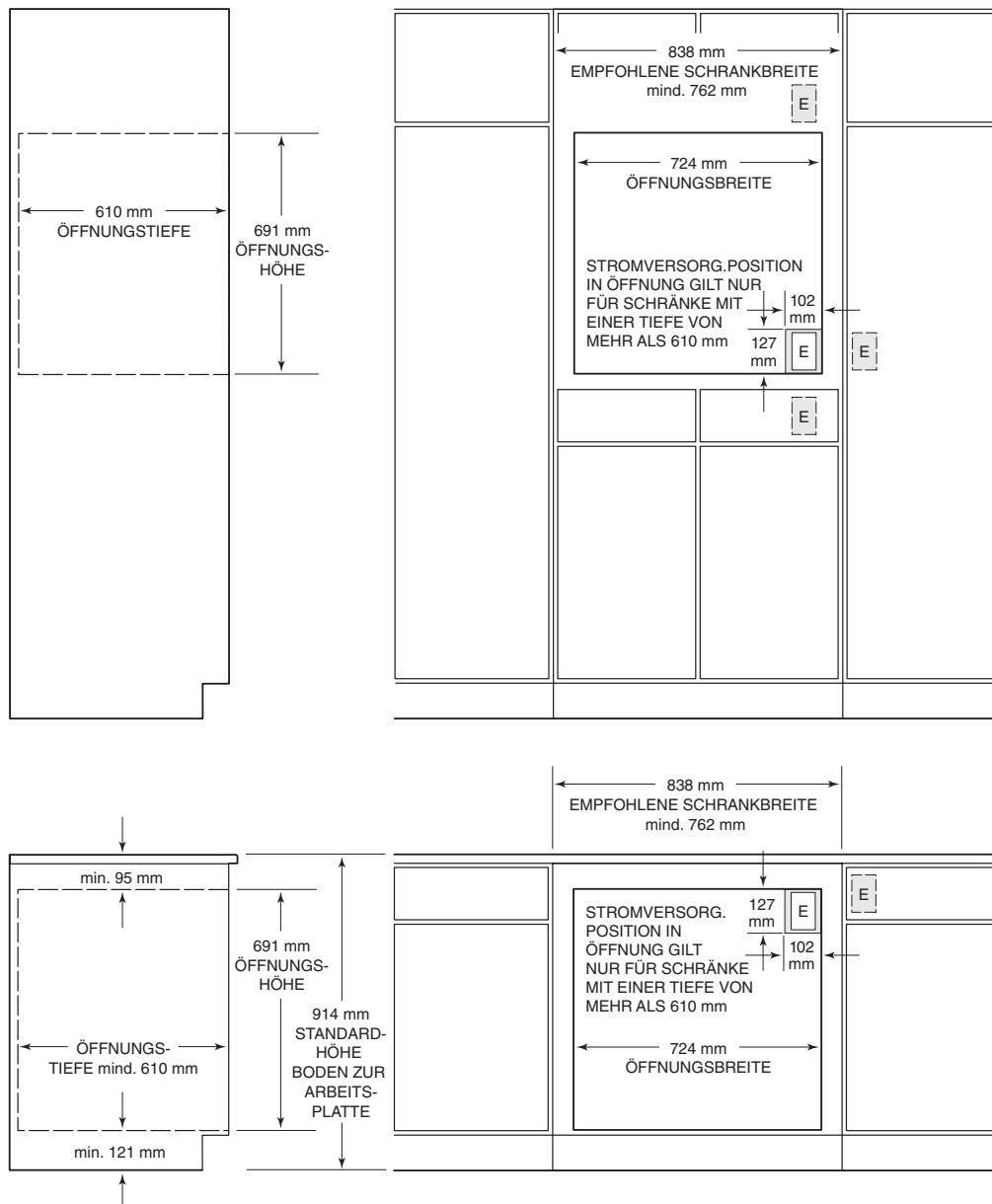
**EINBAUEINZELBACKÖFEN
DER E-SERIE**

STANDARDINSTALLATION

Gesamtbreite des Backofens	759 mm
Gesamthöhe des Backofens	708 mm
Gesamttiefe des Backofens (hinter Rahmen)	603 mm
Freiraum bei offener Tür	559 mm
Empfohlene Schrankbreite	838 mm

Mindestschrankbreite	762 mm
Mindestschranktiefe (Öffnung)	610 mm
Öffnungsbreite	724 mm
Öffnungshöhe	691 mm
Mindesttragfähigkeit des Sockels	113 kg

STANDARDINSTALLATION – MODELLE ICBSO30-2F/S UND ICBSO30-2U/S





EINBAUEINZELBACKÖFEN DER E-SERIE

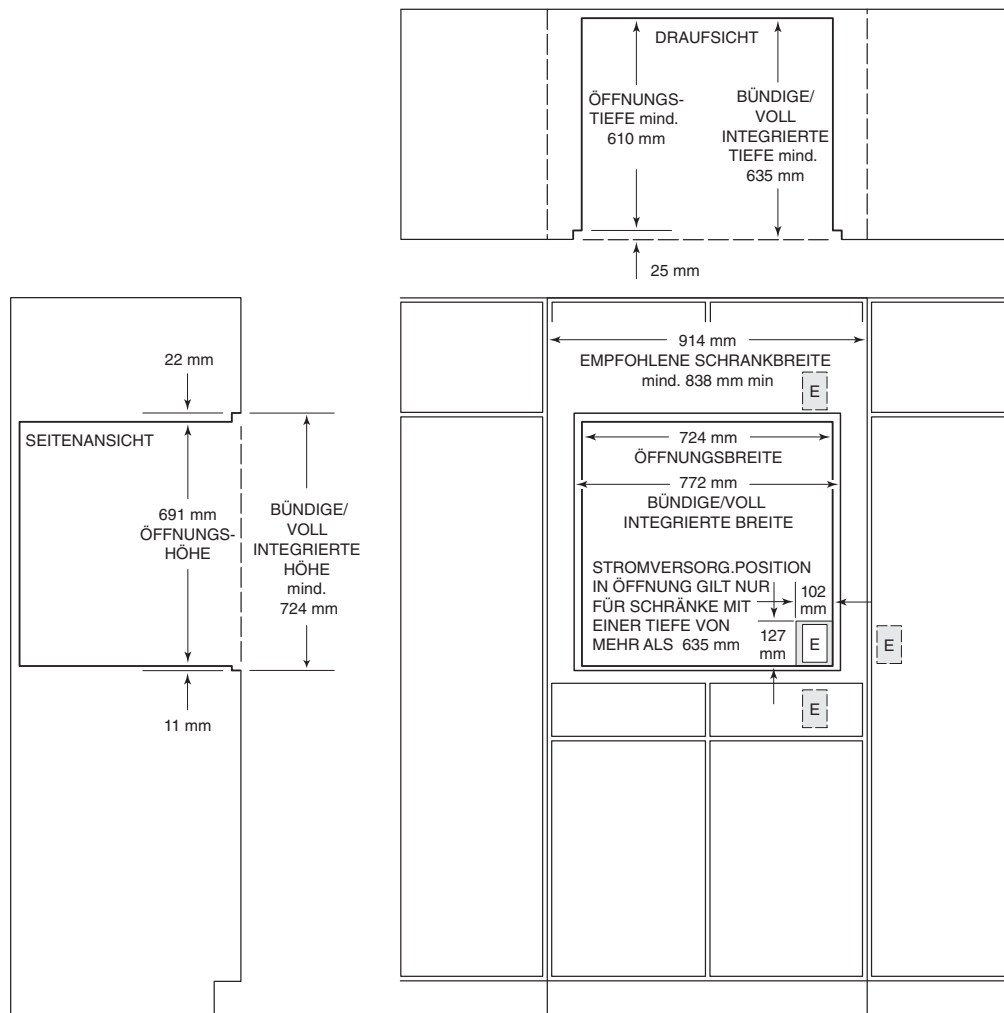
BÜNDIGE/VOLL INTEGRIERTE INSTALLATION

Gesamtbreite des Backofens	759 mm	Mindestschrankbreite	838 mm
Gesamthöhe des Backofens	708 mm	Mindesttiefe bündig/integriert	635 mm
Gesamttiefe des Backofens (hinter Rahmen)	603 mm	Öffnungsbreite	724 mm
Freiraum bei offener Tür	559 mm	Mindestbreite bündig/integriert	772 mm
Mindesttragfähigkeit des Sockels	113 kg	Öffnungshöhe	691 mm
		Mindesthöhe bündig/integriert	724 mm

WICHTIGER HINWEIS

Bei bündigen/voll integrierten Installationen müssen die Innenkanten der Rohbauöffnung bearbeitet sein, da sie frei liegen, wenn die Backofentür geöffnet ist.

BÜNDIGE/VOLL INTEGRIERTE INSTALLATION – MODELLE ICBSO30-2F/S UND ICBSO30-2U/S





**EINBAUDOPPELBACKÖFEN
DER E-SERIE**

**MODELLE ICBDO30-2F/S UND
ICBDO30-2U/S**

WICHTIGER HINWEIS: Es werden mindestens 610 mm nutzbare Schranktiefe benötigt; anderenfalls muss die Rückplatte des Schrankes eventuell ausgebaut werden, um eine ordnungsgemäße Installation zu ermöglichen. Für eine bündige/voll integrierte Installation sind mindestens 635 mm nutzbare Schranktiefe erforderlich. Der Schaltkasten muss bündig mit der Rückplatte des Schrankes abschließen.

Zur leichteren Installation empfiehlt Wolf die Verwendung von 838 mm breiten Schränken mit dem Doppelbackofen der E-Serie. Für eine bündige/voll integrierte Installation ist ein mindestens 838 mm breiter Schrank erforderlich. Die Sockelplattform des Schrankes muss 181 kg tragen können.

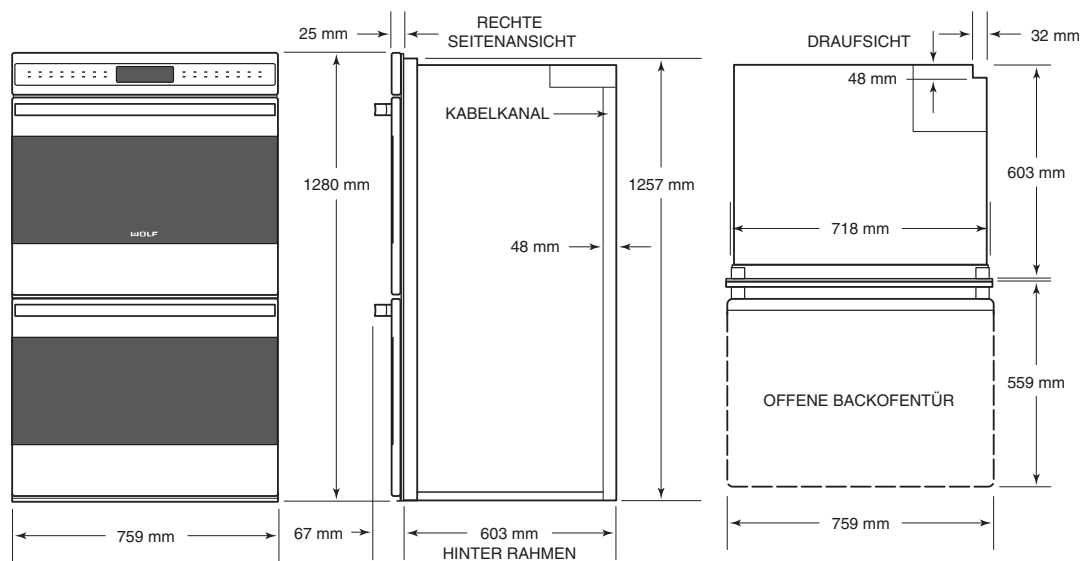
Die Gesamtabmessungen, Installationspezifikationen und die Position der Stromversorgung für den Doppelbackofen der E-Serie entnehmen Sie bitte den folgenden Zeichnungen.

Für den Doppelbackofen der E-Serie wird eine separate, geerdete 3-adrige Versorgung mit 220-240 V AC, 50/60 Hz, 50 Amp mit eigenem Schutzschalter benötigt. Siehe die Elektro Voraussetzungen auf Seite 88.

Im Lieferumfang des Backofens ist kein Elektrostecker enthalten.

WICHTIGER HINWEIS: Sofern Sie keine Schränke mit einer größeren Tiefe von 610 mm für eine Standardinstallation bzw. 635 mm für eine bündige/voll integrierte Installation verwenden, wird empfohlen, die Stromversorgung in einem angrenzenden Schrank unterzubringen. Wählen Sie den in den Installationszeichnungen auf Seite 84-85 dargestellten Ort, der für Ihre Installation am besten geeignet ist.

GESAMTABMESSUNGEN – MODELLE ICBDO30-2F/S UND ICBDO30-2U/S



Rahmenloses Modell ICBDO30-2U/S abgebildet.



EINBAUDOPPELBACKÖFEN DER E-SERIE

STANDARDINSTALLATION

WICHTIGER HINWEIS: Für Standardinstallationen werden mindestens 610 mm nutzbare Schranktiefe benötigt; anderenfalls muss die Rückplatte des Schrankes eventuell ausgebaut werden, um eine ordnungsgemäße Installation zu ermöglichen. Der Schaltkasten muss bündig mit der Rückplatte des Schrankes abschließen.

Bei Standardinstallationen wird der Einbaubackofen der E - Serie installiert, indem er von vorne in den Schrank eingeführt wird. Der Backofen weist auf allen vier Seiten eine Frontumrandung auf und überlappt Querhölzer und Höhenfriese. Die Umrandung überlappt 3 mm an der Unterseite, 8 mm an der Oberseite und jeweils 19 mm auf beiden Seiten.

BÜNDIGE/VOLL INTEGRIERTE INSTALLATION

WICHTIGER HINWEIS: Für bündige/voll integrierte Installationen werden mindestens 635 mm nutzbare Schranktiefe benötigt; anderenfalls muss die Rückplatte des Schrankes eventuell ausgebaut werden, um eine ordnungsgemäße Installation zu ermöglichen. Der Schaltkasten muss bündig mit der Rückplatte des Schrankes abschließen.

Bei der bündigen/voll integrierten Installation muss der Einbaubackofen versenkt in den Schrank eingelassen werden. Es ist ein Schrank mit einer Mindestbreite von 838 mm und einer Mindestdiefe von 635 mm erforderlich, wenn die Vorderseite des Backofens bündig mit den benachbarten Schränken abschließen soll.

WICHTIGER HINWEIS: Bei bündigen/voll integrierten Installationen müssen die Innenkanten der Rohbauöffnung bearbeitet sein, da sie frei liegen, wenn die Backofentüren geöffnet sind. Diese Kanten sollten gebeizt sein und keine laminierte Oberfläche aufweisen, damit während der Selbstreinigung aufgrund der hohen Temperaturen keine Schäden auftreten.



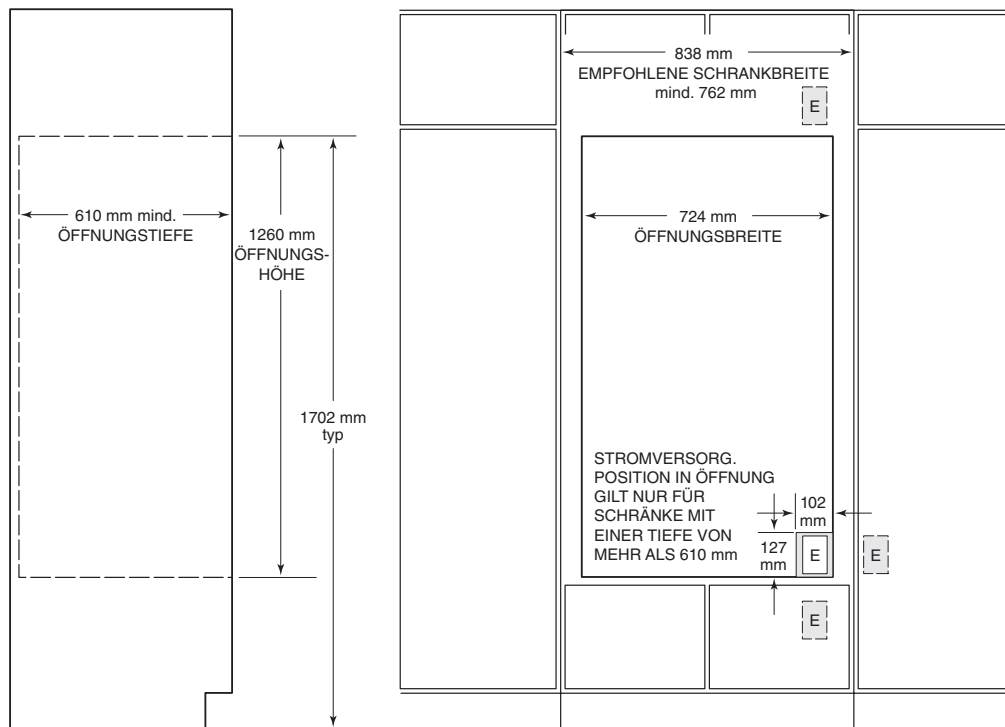
**EINBAUDOPPELBACKÖFEN
DER E-SERIE**

STANDARDINSTALLATION

Gesamtbreite des Backofens	759 mm
Gesamthöhe des Backofens	1292 mm
Gesamttiefe des Backofens (hinter Rahmen)	603 mm
Freiraum bei offener Tür	559 mm
Empfohlene Schrankbreite	838 mm

Mindestschrankbreite	762 mm
Mindestschranktiefe (Öffnung)	610 mm
Öffnungsbreite	724 mm
Öffnungshöhe	1260 mm
Mindesttragfähigkeit des Sockels	181 kg

STANDARDINSTALLATION – MODELLE ICBDO30-2F/S UND ICBDO30-2U/S





EINBAUDOPPELBACKÖFEN DER E-SERIE

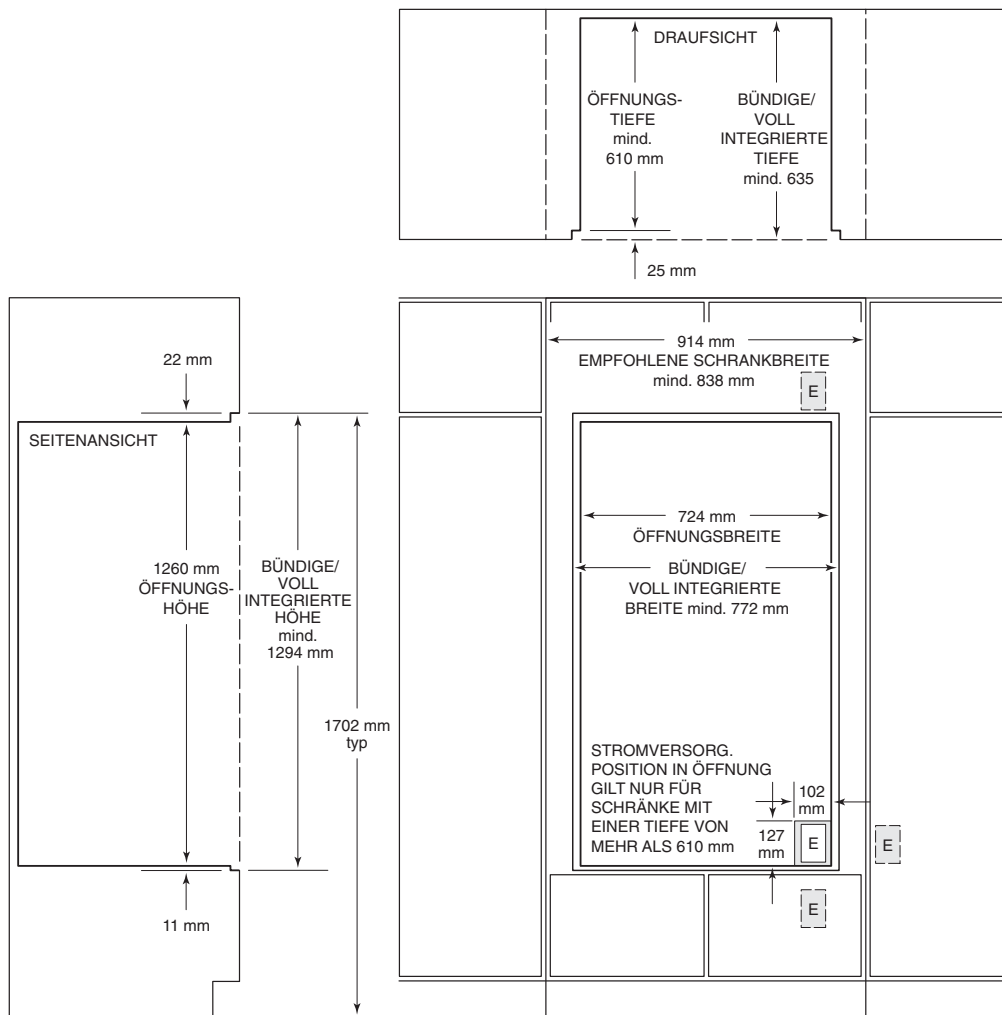
BÜNDIGE/VOLL INTEGRIERTE INSTALLATION

Gesamtbreite des Backofens	759 mm	Mindestschrankbreite	838 mm
Gesamthöhe des Backofens	1292 mm	Mindesttiefe bündig/integriert	635 mm
Gesamttiefe des Backofens (hinter Rahmen)	603 mm	Öffnungsbreite	724 mm
Freiraum bei offener Tür	559 mm	Mindestbreite bündig/integriert	772 mm
Mindesttragfähigkeit des Sockels	181 kg	Öffnungshöhe	1260 mm
		Mindesthöhe bündig/integriert	1294 mm

WICHTIGER HINWEIS

Bei bündigen/voll integrierten Installationen müssen die Innenkanten der Rohbauöffnung bearbeitet sein, da sie frei liegen, wenn die Backofentüren geöffnet sind.

BÜNDIGE/VOLL INTEGRIERTE INSTALLATION – MODELLE ICBDO30-2F/S UND ICBDO30-2U/S





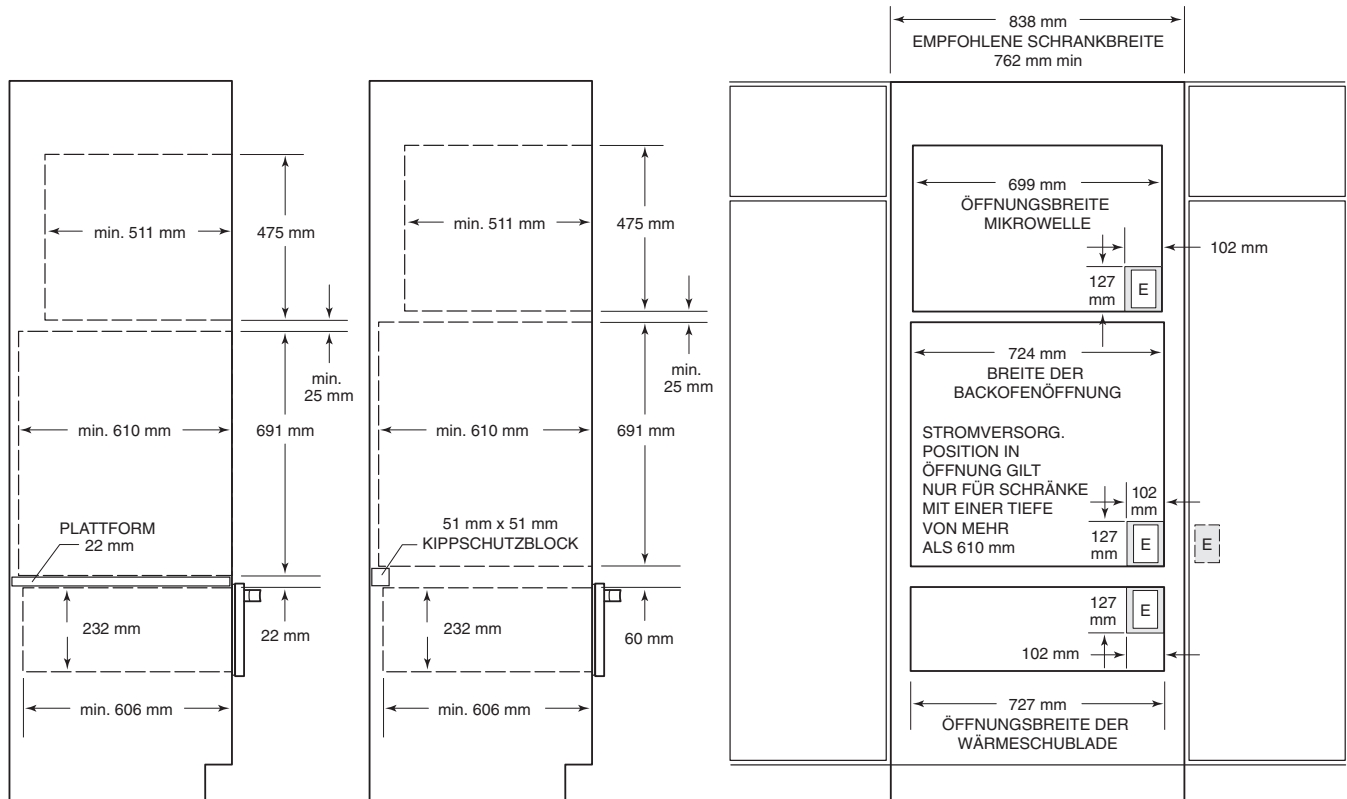
OPTIONEN FÜR DIE STANDARD-INSTALLATION

EINBAUEINZELBACKOFEN DER E-SERIE

Mithilfe des 762-mm-Umrandungssatzes der E-Serie kann der Einzelbackofen der E-Serie von Wolf mit einem Umluft- oder Standardmikrowellenherd von Wolf und mit einer Wärmeschublade der E-Serie von Wolf mit einer Schubladenfront aus Edelstahl oder einer integrierten Schubladenfront kombiniert werden. Die Installationsspezifikationen für Einzelbacköfen der E-Serie finden Sie in der nachstehenden Zeichnung und auf den Seiten 78–81.

Denken Sie daran, dass die Größe der maßangefertigten Verkleidung für die Wärmeschublade mit integrierter Front je nach spezifischer Installation unterschiedlich ausfällt. Detaillierte technische Daten finden Sie in den Installationsanweisungen, die mit dem Mikrowellenumrandungssatz und der Schubladenfront geliefert werden. Die Abmessungen sind je nach spezifischer Installation unterschiedlich.

STANDARDINSTALLATION – MODELLE ICBSO30-2F/S UND ICBSO30-2U/S



PLATTFORMAPPLIKATION

KIPPSCHUTZAPPLIKATION

HINWEIS : Sollten Sie keine Schränke mit einer Tiefe von mehr als 610 mm verwenden, wird empfohlen, die Stromversorgung für den Backofen in einem angrenzenden Schrank unterzubringen.

Einzelbackofen, installiert mit Umluftmikrowellenherd mit 762-mm-Umrandung der E-Serie und Wärmeschublade mit Schubladenfront aus Edelstahl der E-Serie.



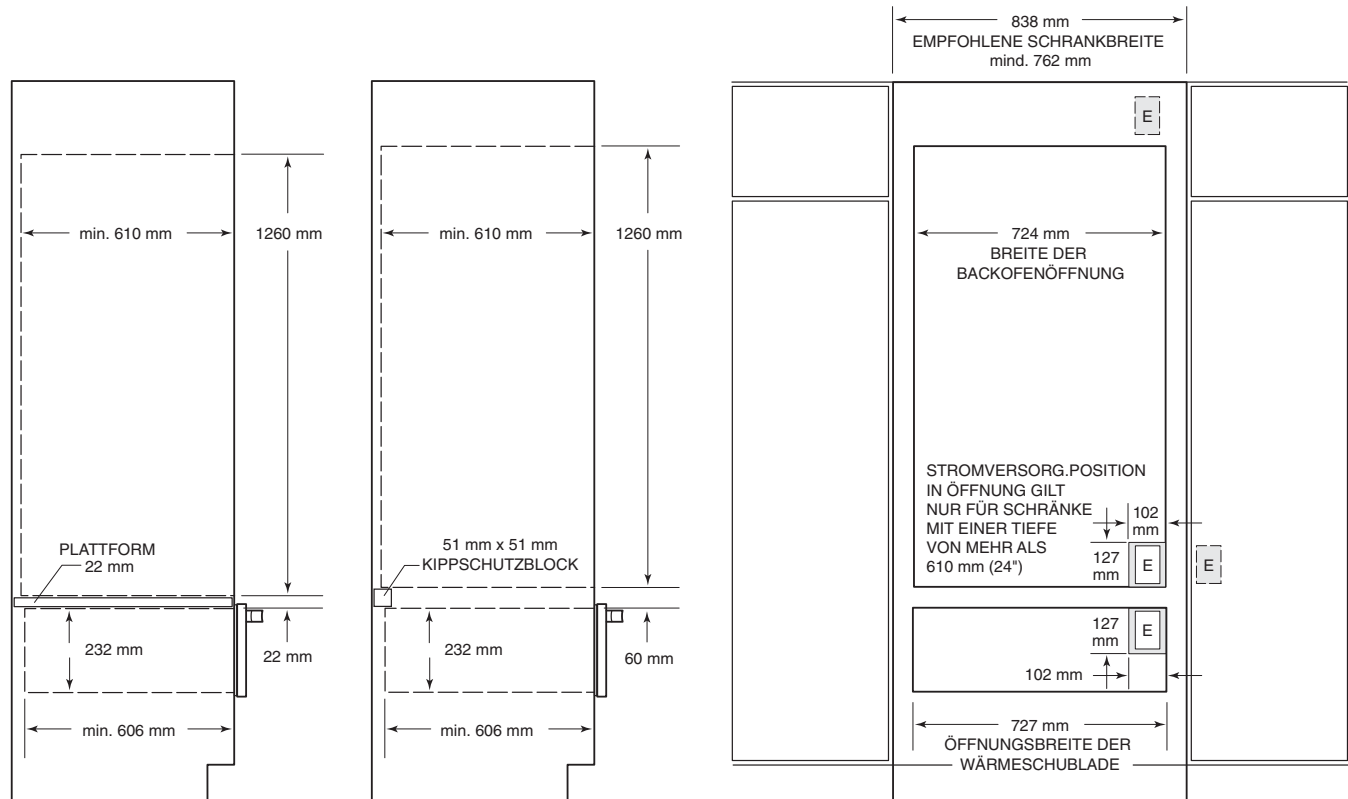
OPTIONEN FÜR DIE STANDARD-INSTALLATION

EINBAUDOPPELBACKOFEN DER E-SERIE

Der Doppelbackofen der E-Serie von Wolf kann mit einer Wärmeschublade von Wolf mit einer Schubladenfront aus Edelstahl der E-Serie oder einer integrierten Schubladenfront kombiniert werden. Die Installationsspezifikationen für Doppelbacköfen der E-Serie finden Sie in der nachstehenden Zeichnung und auf den Seiten 82–85.

Denken Sie daran, dass die Größe der maßangefertigten Verkleidung für die Wärmeschublade mit integrierter Front je nach spezifischer Installation unterschiedlich ausfällt. Detaillierte technische Daten finden Sie in den Installationsanweisungen, die mit der Wärmeschubladenfront geliefert werden. Die Abmessungen sind je nach spezifischer Installation unterschiedlich.

STANDARDINSTALLATION – MODELLE ICBDO30-2F/S UND ICBDO30-2U/S



PLATTFORMAPPLIKATION

KIPPSCHUTZAPPLIKATION

HINWEIS : Sollten Sie keine Schränke mit einer Tiefe von mehr als 610 mm verwenden, wird empfohlen, die Stromversorgung für den Backofen in einem angrenzenden Schrank unterzubringen.

Doppelbackofen, installiert über der Wärmeschublade mit Schubladenfront aus Edelstahl der E-Serie.

ELEKTROVORAUSSETZUNGEN

⚠ ACHTUNG

Stellen Sie sicher, dass die Stromversorgung unterbrochen ist, bevor Sie fortfahren.

⚠ ACHTUNG

Das komplette Gerät muss jederzeit ordnungsgemäß geerdet sein, wenn Strom zugeführt wird.

HINWEIS: Ein unsachgemäßer Anschluss kann zu einer Brandgefahr führen.

WICHTIGER HINWEIS

Halten Sie alle örtlichen Vorschriften und Richtlinien ein, wenn Sie die Versorgung installieren.

EINZELBACKÖFEN DER E-SERIE

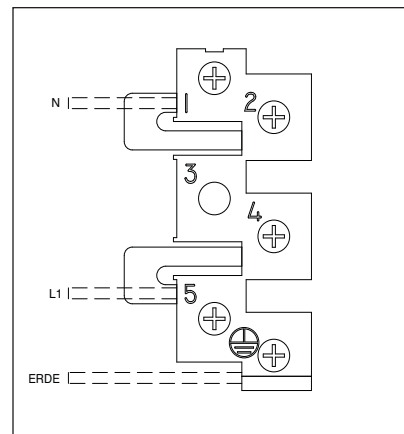
- **Erforderliche Stromversorgung:**
220-240 V AC, 50/60 Hz
- **Maximale angeschlossene Last:**
5,1 kW
- **Amperezahl insgesamt:** 21 Amp
- **Mindestgröße des Versorgungskabels:** L1, N und Erde–10 AWG

DOPPELBACKÖFEN DER E-SERIE

- **Erforderliche Stromversorgung:**
220-240 V AC, 50/60 Hz
- **Maximale angeschlossene Last:**
8,9 kW

Siehe das Verdrahtungsdiagramm, in dem die Anschlüsse für jede Leitung zum Klemmenkasten des Geräts dargestellt sind.

Öffnen Sie den Klemmenkasten, um die Schrauben mit den entsprechenden Nummern freizulegen. Lockern Sie die Schrauben 1, 5 und die Erdschraube. Führen Sie das Kabel durch die Zugentlastungsbohrung in den Klemmenkasten. Befestigen Sie den Neutralleiter an der Position Nummer 1. Die stromführende Leitung sollte an der Position 5 und die Erde an der entsprechenden Erdschraube angeschlossen werden. Nach Festziehen der Schrauben wird die Kabelzugentlastung fest gezogen und die Abdeckung am Klemmenkasten geschlossen, ohne irgendwelche Drähte einzuklemmen.



Verdrahtungsdiagramm

ELEKTROVORAUSSETZUNGEN

Während der Backofen direkt vor der Schranköffnung positioniert ist, führen Sie das entsprechend ausgelegte Kabel, das am Klemmenkasten angeschlossen wurde, durch die Öffnung in der Schrankplattform (wenn zutreffend). Dann wenden Sie je nach örtlichen Vorschriften eine der folgenden Techniken an, um das Gerät an der Stromversorgung anzuschließen.

INSTALLIEREN DES BACKOFENS

AUSPACKEN DES BACKOFENS

⚠ VORSICHT

Der Backofen ist nicht am Transportsockel befestigt. Die Gurte dürfen erst dann entfernt werden, wenn sich der Backofen am Installationsort befindet.

Schneiden Sie die Kunststoffgurte durch und entfernen Sie die zwei V-Bretter. Entfernen Sie die vier oberen Schaumstoffecken und die Eckenpfosten. Entfernen Sie die Kartonhülle, indem Sie die Hülle nach oben führen und vom Gerät abnehmen.

Nehmen Sie alle Ofenroste, Rostschienen und die Grillpfanne aus dem Innenraum des Backofens heraus. Achten Sie beim Doppelbackofen darauf, dies sowohl beim oberen als auch beim unteren Backofen durchzuführen.

Entfernen Sie die vier unteren Ecken. Seien Sie vorsichtig, denn der Backofen ist nicht am Transportsockel befestigt. Wenn der Backofen verschoben oder transportiert wird, sollte der untere Schaumstoff nicht entfernt werden. Der untere Schaumstoff schützt außerdem die ab Werk installierte Umrandung.

⚠ VORSICHT

Der untere Schaumstoff darf erst dann entfernt werden, wenn der Backofen an der Installationsöffnung positioniert wurde.

WICHTIGER HINWEIS: Bevor Sie den Backofen verschieben, muss der Fußboden mit entsprechenden Materialien geschützt werden, um Beschädigungen zu vermeiden.

Entfernen und entsorgen Sie alles Verpackungsmaterial, einschließlich Karton und Klebeband, auf der Außenseite und im Innenraum des Backofens.

⚠ VORSICHT

Das Gerät nicht an dem/den Türgriff(en) des Backofens anheben. Dadurch werden die Backofentür und Scharniere beschädigt.





INSTALLIEREN DES BACKOFENS

AUSBAUEN DER BACKOFENTÜR

Um das Gewicht des Backofens zu verringern und die Installation zu erleichtern, kann/können die Backofentür(en) wahlweise ausgebaut werden.

So wird die Backofentür ausgebaut:

- Öffnen Sie die Backofentür bis zum Anschlag.
- Kippen Sie die Scharnierriegel auf jeder Seite nach unten.
- Schließen Sie die Backofentür so weit wie möglich.
- Halten Sie die Backofentür auf beiden Seiten mit beiden Händen und heben Sie sie gleichzeitig an. Drücken Sie die Backofentür weiter in die geschlossene Position und ziehen Sie sie vom Backofenrahmen weg.

So wird die Backofentür wieder eingebaut:

- Führen Sie beide Aufhängerarme in die Öffnungen am Backofenrahmen.
- Öffnen Sie die Backofentür. Es sollte ein Klicken zu hören sein, wenn die Tür in Position einrastet.
- Schieben Sie die Scharnierhebel zurück in die verriegelte Position. Stellen Sie sicher, dass die Tür sich leicht öffnen und schließen lässt. Wenn dies nicht der Fall ist, müssen die Verfahren zum Ausbauen und Wiedereinbauen wiederholt werden.

POSITIONIEREN DES BACKOFENS

⚠ VORSICHT

Der Backofen ist sehr schwer – seien Sie beim Hochheben vorsichtig. Es wird empfohlen, den Backofen zu zweit anzuheben und in die Öffnung zu bringen. Tragen Sie zum Schutz der Hände vor scharfen Kanten Handschuhe.

Halten Sie den Backofen an der Oberkante und der unteren Seite des Backofengehäuses und heben Sie ihn vorsichtig in die Schranköffnung hoch.

Setzen Sie den Backofen auf der Plattform des Schranksockels ab und schieben Sie ihn in die Öffnung, bis noch ca. 152 mm am vollen Einschub fehlen. Wenn zutreffend, muss gewährleistet werden, dass das vom Installierer bereitgestellte Kabel durch die Öffnung in der Schrankplattform eingeführt wird, während der Backofen in Position geschoben wird.

WICHTIGER HINWEIS: Das vom Installierer bereitgestellte Kabel muss in die Aussparung hinten rechts entlang der senkrechten Kante des Backofens platziert werden. Achten Sie darauf, dass das Kabel nicht zwischen Backofen und Schrankinnenwand eingeklemmt wird.

⚠ VORSICHT

Die Backofenabluft an der Unterseite des Backofens darf nicht blockiert werden. Wenn die Abluft blockiert wird, kann dies zu Schäden am Schrank und zu einer schlechten Backleistung führen.



INSTALLIEREN DES BACKOFENS

MONTAGE DES BACKOFENS AM SCHRANK

Nachdem der Backofen vollständig in die Schranköffnung eingeführt wurde, müssen die Montagelöcher in der seitlichen Umrandung des Backofens lokalisiert werden. Für einen Einzelbackofen sind vier Montagelöcher vorgesehen und für einen Doppelbackofen sechs. Siehe die Abbildung unten. Verwenden Sie eine 2-mm-Bohrkrone, um Löcher im Schrank vorzubohren. Der Backofen wird mit den mitgelieferten Holzschrauben durch die Backofenmontagelöcher am Schrank befestigt.



⚠ ACHTUNG

Wenn die Montageschrauben nicht installiert werden, kann sich der Backofen während des Gebrauchs verschieben oder nach vorne kippen. Dies kann zu Schäden am Backofen oder Verletzungen führen.

BENUTZUNG DES BACKOFENS

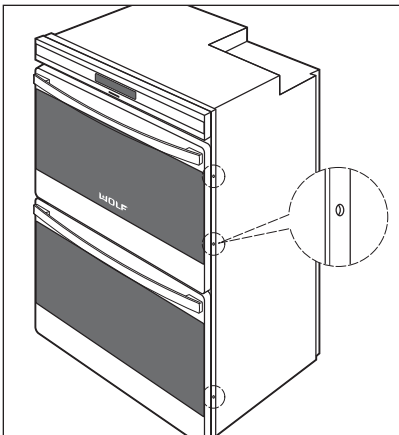
WICHTIGER HINWEIS: Vor der Benutzung des Backofens sollten Sie die gesamte im Lieferumfang enthaltene Bedienungs- und Pflegeanleitung für Einbaubacköfen der E-Serie von Wolf lesen, da diese wichtige Sicherheitsdaten enthält.

Packen Sie den Karton aus, der im Innenraum des Backofens verstaut ist und die Backofenkomponenten enthält. Installieren Sie die Rostschienen auf den Ansatzschrauben, die sich an den Innenwänden des Backofens befinden. Schieben Sie die Ofenröste auf die Trägerroste im Backofen. Pro Backofen sind drei Roste vorhanden. Stellen Sie die Grillpfanne und das Gitter nach Wunsch auf einen Rost im Backofen.

Schalten Sie die Stromzufuhr zum Backofen ein. Stellen Sie die Uhrzeit ein, indem Sie das Berührungsfeld  **UHR EINSTELLEN** drücken, geben Sie die gewünschte Uhrzeit über die Nummerntasten ein und berühren Sie anschließend  **ENTER**.

Wählen Sie einen der zehn Kochmodi auf dem Bedienfeld. Stellen Sie sicher, dass der Backofen sich erwärmt. Prüfen Sie bei einem Doppelbackofen den Betrieb beider Backöfen.

WICHTIGER HINWEIS: Bei der anfänglichen Benutzung kann es zu einer geringfügigen Rauch- und Geruchsentwicklung kommen. Weitere Angaben finden Sie in der Bedienungs- und Pflegeanleitung.



Position der Montagelöcher



KONTAKT- INFORMATIONEN

Website:
wolfappliance.com

FEHLERSUCHE

WICHTIGER HINWEIS: Wenn der Einbaubackofen nicht richtig funktioniert, führen Sie diese Schritte zur Fehlersuche aus:

- Stellen Sie sicher, dass der Backofen mit Strom versorgt wird.
- Prüfen Sie die elektrischen Anschlüsse, um sicherzustellen, dass die Installation richtig abgeschlossen wurde.
- Führen Sie die Verfahren zur Fehlersuche aus, die in der Bedienungs- und Pflegeanleitung für Einbaubacköfen der E-Serie von Wolf beschrieben sind.
- Wenn der Backofen immer noch nicht funktioniert, wenden Sie sich an ein Wolf-Kundendienstzentrum. Versuchen Sie auf keinen Fall, den Backofen selbst zu reparieren. Wolf ist nicht für Servicearbeiten verantwortlich, die zur Korrektur einer fehlerhaften Installation erforderlich sind.

WENN **SERVICE** ERFORDERLICH IST

- Wenden Sie sich zwecks Service in Ihrer Region entweder an Ihren Wolf-Vertragshändler oder besuchen Sie den Showroom Locator auf unserer Website wolfappliance.com, um nach der regionalen Vertriebsstelle im jeweiligen Land zu suchen.
- Wenn Sie zwecks Service anrufen, benötigen Sie die Modell- und Seriennummer des Einbaubackofenmodells. Beide Nummern befinden sich auf dem Produkttypenschild, das auf der rechten Seite der Backofenumrandung direkt über der Tür angebracht ist. Öffnen Sie die Backofentür, um das Typenschild abzulesen. Die Position des Typenschildes entnehmen Sie der Abbildung auf Seite 77.

VERDRAHTUNGSDIAGRAMM

Das Verdrahtungsdiagramm, das den Schaltkreis darstellt, befindet sich oben auf dem Backofen in einer versiegelten Plastiktüte.



Die Informationen und Abbildungen in dieser Anleitung sind das urheberrechtlich geschützte Eigentum der Wolf Appliance, Inc., einem Tochterunternehmen der Sub-Zero Freezer Company, Inc.

Weder dieses Handbuch noch darin enthaltene Informationen oder Bilder dürfen insgesamt oder teilweise ohne die ausdrückliche schriftliche Genehmigung der Wolf Appliance, Inc., einem Tochterunternehmen der Sub-Zero Freezer Company, Inc., kopiert oder verwendet werden.

©Wolf Appliance, Inc. Alle Rechte vorbehalten.

WOLF APPLIANCE, INC.
PO BOX 44848
MADISON, WI 53744 USA
WOLFAPPLIANCE.COM

811862 11/2007



WOLF[®]